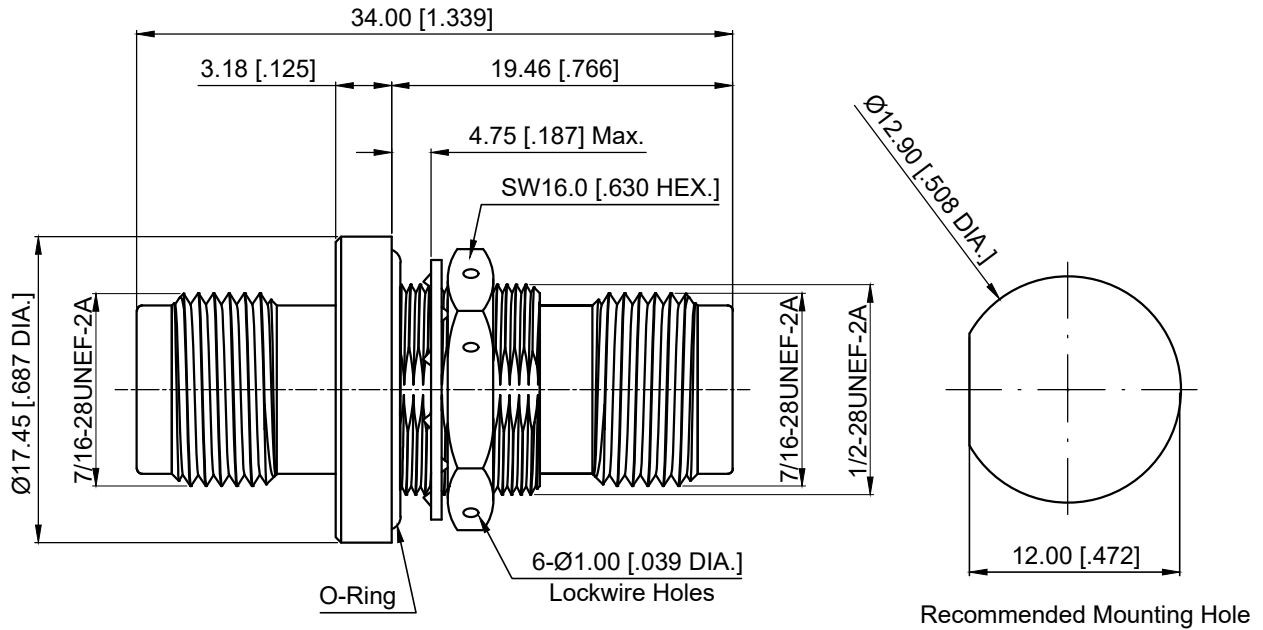


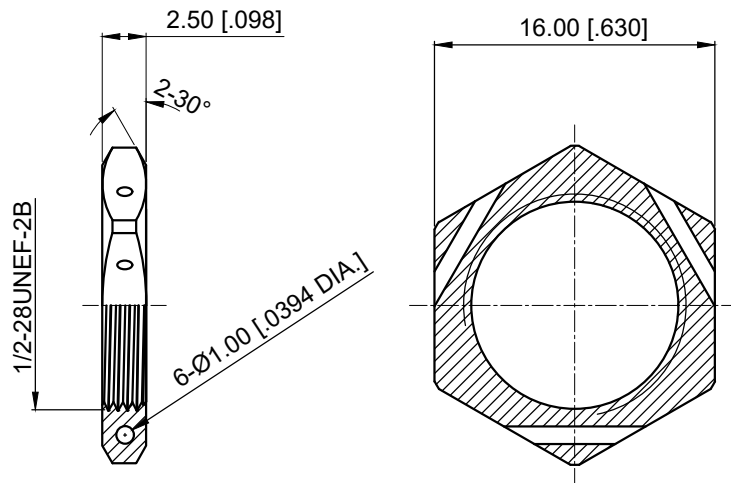
DESCRIPTION	MATERIAL	FINISH
Center Contact	Beryllium Copper Alloy	Gold
Body	KOVAR	Gold
Nut	Brass	Nickel
Lock Washer	Phosphor Bronze	Nickel
O-Ring	MVQ(Silicone Rubber)	-----
Insulator 1	PTFE	-----
Insulator 2	Glass Corning 7070	-----

Technical Data

1. Impedance: 50 Ω
2. Frequency Range: DC-15GHz
3. VSWR: 1.10+0.02xF (GHz)
4. DVW: 1500 VRMS
5. Voltage Rating: 500 VRMS
6. Insulation Resistance: 5000 MΩ
7. Operating Temp. : -65°C to +165°C
8. 2002/95/EC(RoHS): Compliant
9. Hermeticity: 1x10⁻⁸cc/sec at one Atmosphere
10. TNCA Interface PER MIL-STD-348A



Nut Figure



NOTES:

1. ALL SPECIFICATIONS ARE SUBJECT TO CHANGE WITHOUT NOTICE AT ANY TIME
2. CUSTOMER OUTLINE DRAWING FOR REFERENCE ONLY

				Drawn: X. B. Yang 01/14/13	Title:		
				Checked: L. Yang 01/14/13	Adapter, Hermetic Sealed		
				Approved: J. Qu 01/14/13	TNCA Female to TNCA Female Bulkhead		
Description	Ecn.No	Date	Rev	Part No:			
				ANO 302-302-1251			
<p>...we create connection for technologies</p>				View:		Size:	
						Scale:	
				Sheet:	Rev:		
				A4	2.5:1	1/1	A

Unless otherwise specified dimensions are in millimeters, dimensions in [] are in inches for customer reference only.
 Unless Otherwise Specified tolerance are:
 .XX ±0.13 [.005"]
 .X ±0.20 [.008"]
 X ±0.50 [.019"]
 .X° ±1°
 X° ±2°