

MATERIAL & FINISH:

- 1 BODY: BRASS, NICKEL PLATED
- 2 CENTER CONTACT: BERYLLIUM COPPER ALLOY, GOLD PLATED
- 3 INSULATOR: PTFE
- 4 O-RING: SILICONE RUBBER

ELECTRICAL DATA:

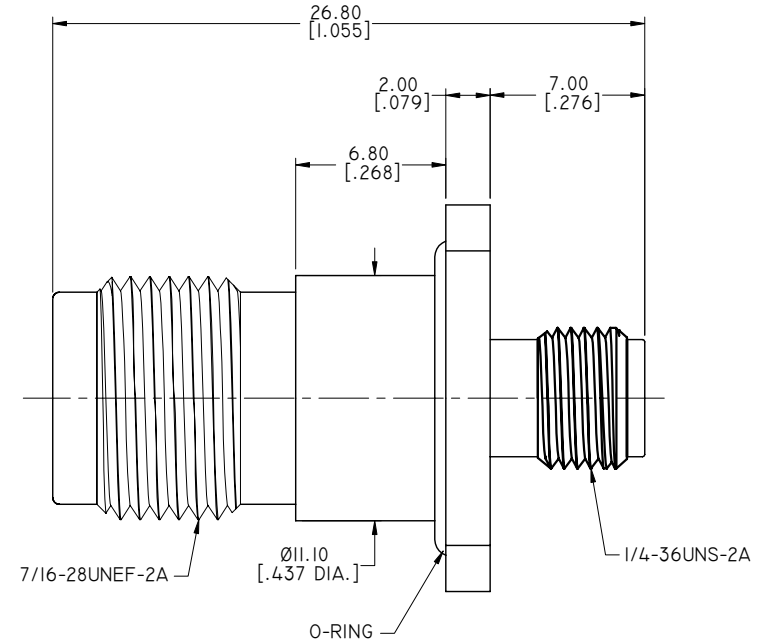
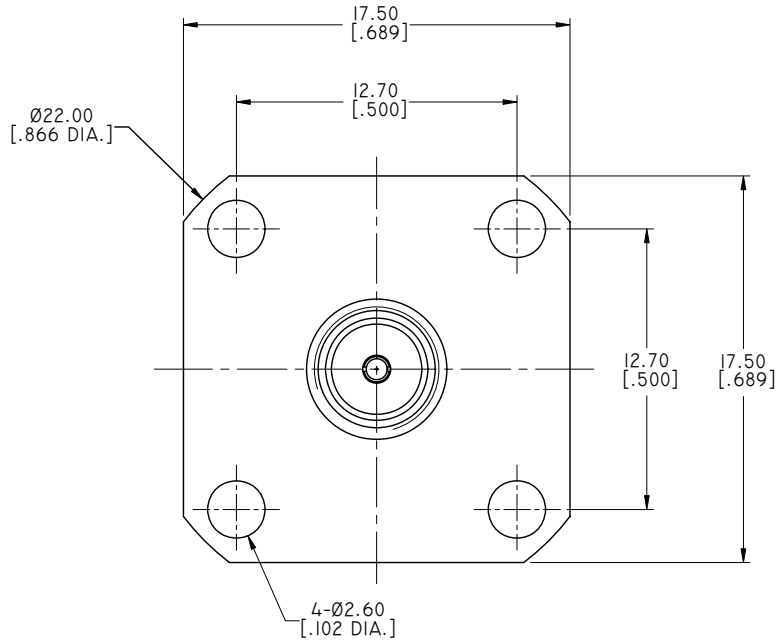
- 1 IMPEDANCE: 50 Ω
- 2 FREQUENCY RANGE: DC-18 GHZ
- 3 VSWR: 1.35 MAX.

ENVIRONMENTAL DATA:

- 1 TEMPERATURE RANGE: -55°C~+125°C
- 2 2011/65/EU(RoHS) AND 2015/863/(RoHS): COMPLIANT
- 3 1999/45/EC(REACH): COMPLIANT
- 4 IP RATING (INTERFACE, MATED) IP67

REVISIONS

REV.	DESCRIPTION	DATE	APPROVED
A	INITIAL RELEASE	12/19/18	J. QU



DRAWN	X. B. YANG	DATE	12/19/18
CHECKED	W. YANG	DATE	12/19/18
APPROVED	J. QU	DATE	12/19/18
UNLESS OTHERWISE SPECIFIED DIMENSIONS ARE IN MILLIMETERS. DIMENSIONS IN [ ] ARE IN INCHES FOR CUSTOMER REFERENCE ONLY UNLESS OTHERWISE SPECIFIED TOLERANCE ARE:		THESE DRAWINGS AND SPECIFICATIONS ARE THE PROPERTY OF ANOISON ELECTRONICS LTD AND SHOULD NOT BE USED WITHOUT WRITTEN PERMISSION COPYRIGHT © 2018 ANOISON ELECTRONICS LTD	
.XX	±0.13 [.005"]		
.X	±0.20 [.008"]		
X	±0.50 [.019"]		
.X°	±1°		
X°	±2°		



TITLE  
ADAPTER,  
TNCA FEMALE TO SMA FEMALE, PANEL MOUNT, IP67, 18GHZ

VIEW	PART NO. ANO 302-212-I475		
	SIZE A3	SCALE 4:1	SHEET 1/1
			REV. A