

1.0 MATERIAL & FINISH:

1.1 BODY: SEE SCHEDULE

1.2 CENTER CONTACT: BERYLLIUM COPPER ALLOY, GOLD PLATED

1.3 INSULATOR: PTFE & PEI

2.0 ENVIRONMENTAL DATA:

2.1 TEMPERATURE RANGE: -55°C~+125°C

2.2 2011/65/EU (RoHS): COMPLIANT

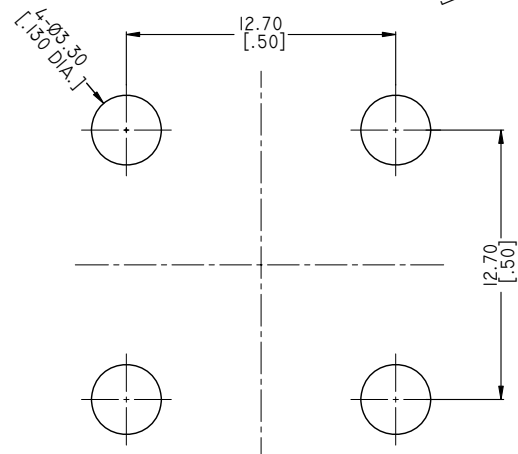
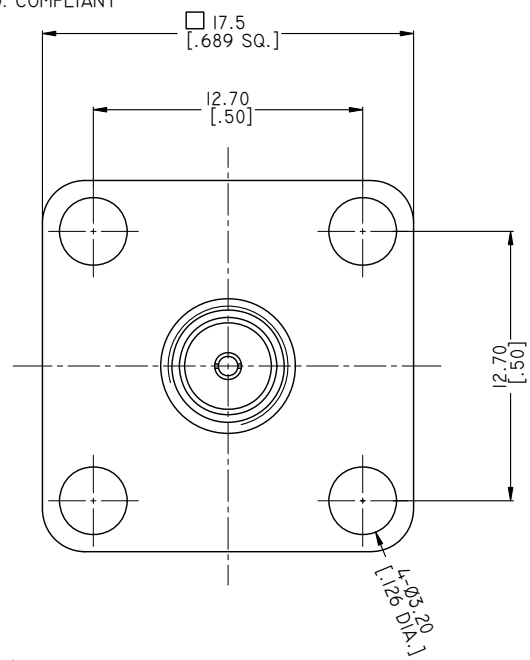
3.0 ELECTRICAL DATA:

3.1 IMPEDANCE: 50 Ω

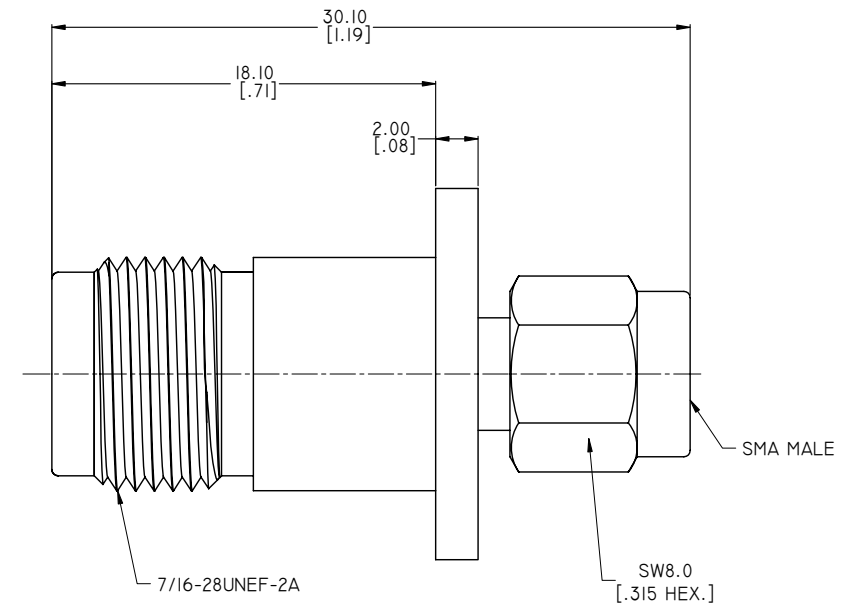
3.2 FREQUENCY RANGE: DC~18 GHz

3.3 VSWR 1.25 MAX.

REVISIONS			
REV.	DESCRIPTION	DATE	APPROVED
A	INITIAL RELEASE	09/27/17	J. QU



RECOMMENDED MOUNTING HOLE



PART NUMBER	PART	MATERIAL	FINISH
ANO 302-211-I42I	BODY	BRASS	ALBALOY
ANO 302-211-I42I-I		STAINLESS STEEL	PASSIVATED

DRAWN	W. YANG	DATE	09/27/17
CHECKED	X. B. YANG	DATE	09/27/17
APPROVED	J. QU	DATE	09/27/17
UNLESS OTHERWISE SPECIFIED DIMENSIONS ARE IN MILLIMETERS. DIMENSIONS IN [] ARE IN INCHES FOR CUSTOMER REFERENCE ONLY UNLESS OTHERWISE SPECIFIED TOLERANCE ARE:		THESE DRAWINGS AND SPECIFICATIONS ARE THE PROPERTY OF ANOISON ELECTRONICS LTD AND SHOULD NOT BE USED WITHOUT WRITTEN PERMISSION COPYRIGHT © 2017 ANOISON ELECTRONICS LTD	
.XX	±0.13 [0.005"]		
.X	±0.20 [0.008"]		
X	±0.50 [0.019"]		
.X°	±1°		
X°	±2°		



TITLE			
ADAPTER, 18GHZ TNCA FEMALE PANEL MOUNT TO SMA MALE , 4 HOLE FLANGE			
VIEW		PART NO.	
		ANO 302-211-I42I	
SIZE	SCALE	SHEET	REV.
A3	4:1	1/1	A