

4

3

2

1

MATERIAL & FINISH:

- 1 BODY: BRASS, ALBALOY PLATED
- 2 CENTER CONTACT: BERYLLIUM COPPER ALLOY, GOLD PLATING
- 3 INSULATOR: PTFE & PEI

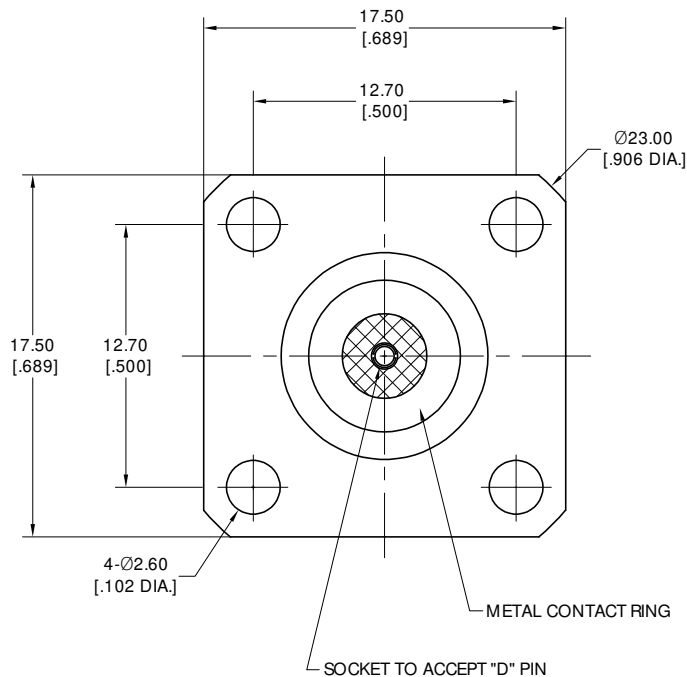
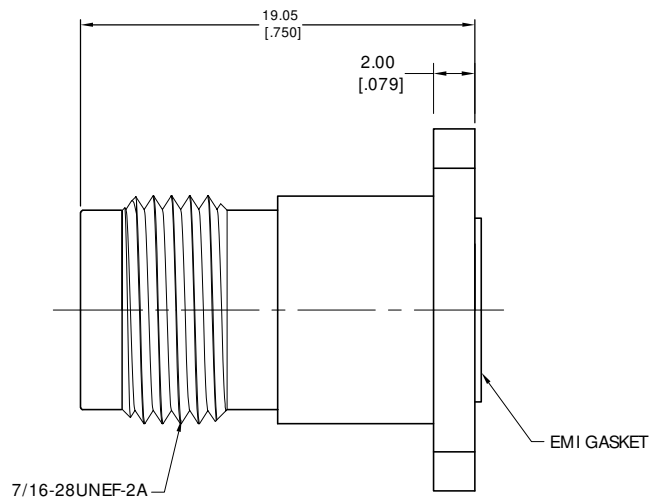
ELECTRICAL DATA:

- 1 IMPEDANCE: 50 Ω
- 2 FREQUENCY RANGE: DC~18 GHz
- 3 POWER HANDING: 200 CW MIN.

ENVIRONMENTAL DATA:

- 1 TEMPERATURE RANGE: -55°C~+125°C
- 2 2011/65/EU(RoHS) AND 2015/863/(RoHS): COMPLIANT
- 3 1907/2006/EC(REACH): COMPLIANT

REVISIONS			
REV.	DESCRIPTION	DATE	APPROVED
A	INITIAL RELEASE	04/15/25	J Q

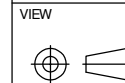


PART NO.	D	PIN DEPTH MAX.
ANO 3012-3027-1	Ø0.38 [.015 DIA.]	2.00 [.100]
ANO 3012-3027-2	Ø0.46 [.018 DIA.]	2.54 [.100]
ANO 3012-3027-3	Ø0.51 [.020 DIA.]	2.54 [.100]
ANO 3012-3027-4	Ø0.91 [.036 DIA.]	2.54 [.100]

DRAWN	X.Y	DATE	04/15/25
CHECKED	W. Y	DATE	04/15/25
APPROVED	J Q	DATE	04/15/25
UNLESS OTHERWISE SPECIFIED DIMENSIONS ARE IN MILLIMETERS, DIMENSIONS IN [ ] ARE IN INCHES FOR CUSTOMER REFERENCE ONLY UNLESS OTHERWISE SPECIFIED TOLERANCE ARE:		THESE DRAWINGS AND SPECIFICATIONS ARE THE PROPERTY OF ANOISON ELECTRONICS LTD AND SHOULD NOT BE USED WITHOUT WRITTEN PERMISSION COPYRIGHT © 2025 ANOISON ELECTRONICS LTD	
.XX	±0.13 [.005"]		
.X	±0.20 [.008"]		
X	±0.50 [.019"]		
.X°	±1°		
X°	±2°		



TITLE  
TNCA FEMALE 4 HOLE .689" SQ. FLANGE MOUNT  
FIELD REPLACEABLE, ACCEPTS PIN WITH EMI GASKET



PART NO. ANO 3012-3027			
SIZE A3	SCALE 4:1	SHEET 1/1	REV. A

4

3

2

1

D

D

C

C

B

B

A

A