

**MATERIAL & FINISH:**

- 1 BODY: STAINLESS STEEL, PASSIVATEDL
- 2 CENTER CONTACT: BERYLLIUM COPPER ALLOY, GOLD PLATED
- 3 INSULATOR: PTFE & PEI

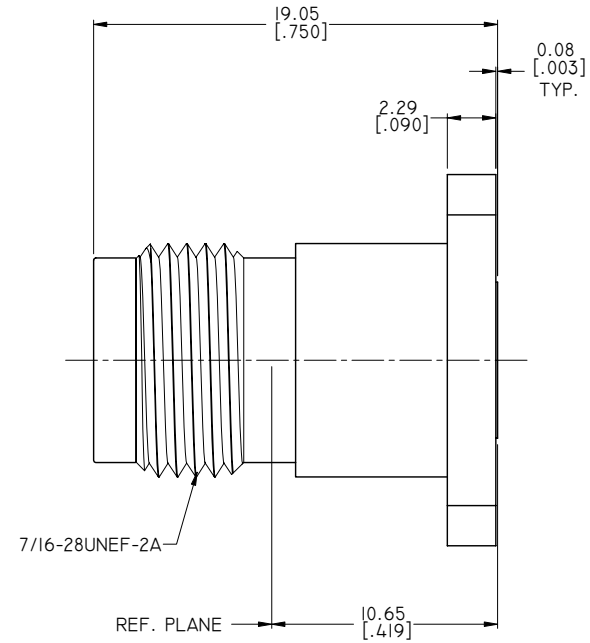
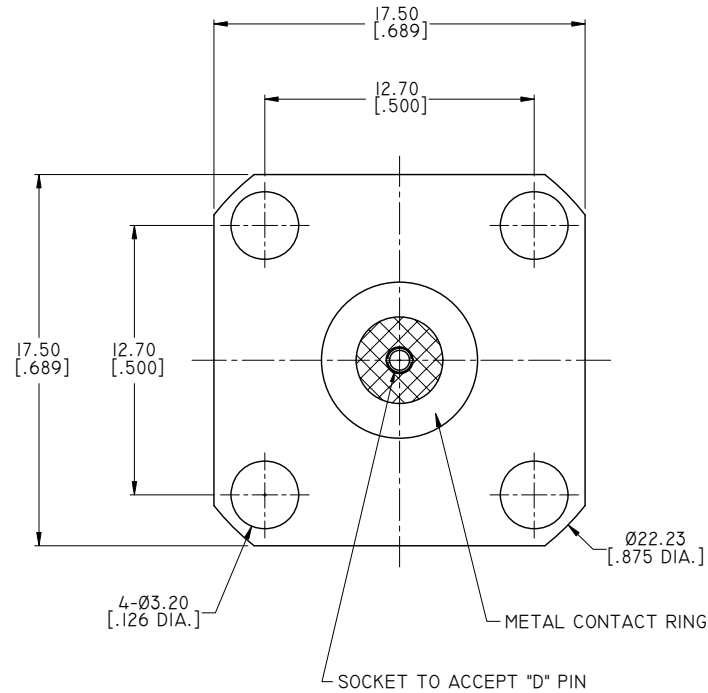
**ENVIRONMENTAL DATA:**

- 1 TEMPERATURE RANGE: -55°C~+165°C
- 2 2011/65/EU (RoHS): COMPLIANT

**ELECTRICAL DATA:**

- 1 IMPEDANCE: 50 Ω
- 2 FREQUENCY RANGE: DC~18 GHz
- 3 VSWR: 1.15 MAX.

REVISIONS			
REV.	DESCRIPTION	DATE	APPROVED
A	INITIAL RELEASE	07/21/16	J. QU
B	19.05 [.750] WAS 18.90 [.744] 2.29 [.090] WAS 2.00 [.079] 10.65 [.419] WAS 10.50 [.413] 10.50 [.413] WAS 0.10 [.004]	07/28/16	J. QU



PART NO.	D	PIN DEPTH MAX.
ANO 3012-3001-1	Ø0.38 [.015 DIA.]	2.00 [.100]
ANO 3012-3001-2	Ø0.46 [.018 DIA.]	2.54 [.100]
ANO 3012-3001-3	Ø0.51 [.020 DIA.]	2.54 [.100]
ANO 3012-3001-4	Ø0.91 [.036 DIA.]	2.54 [.100]

DRAWN	X. B. YANG	DATE	07/28/16
CHECKED	L. YANG	DATE	07/28/16
APPROVED	J. QU	DATE	07/28/16
UNLESS OTHERWISE SPECIFIED DIMENSIONS ARE IN MILLIMETERS. DIMENSIONS IN [ ] ARE IN INCHES FOR CUSTOMER REFERENCE ONLY UNLESS OTHERWISE SPECIFIED TOLERANCE ARE:		THESE DRAWINGS AND SPECIFICATIONS ARE THE PROPERTY OF ANOISON ELECTRONICS LTD AND SHOULD NOT BE USED WITHOUT WRITTEN PERMISSION COPYRIGHT © 2016 ANOISON ELECTRONICS LTD	
.XX	±0.08 [.003"]		
.X	±0.20 [.008"]		
X	±0.50 [.019"]		
.X°	±1°		
X°	±2°		



TITLE			
TNCA FEMALE, 4 HOLE FLANGE, FIELD REPLACEABLE, ACCEPT PIN			
VIEW		PART NO.	
		ANO 3012-3001	
SIZE	SCALE	SHEET	REV.
A3	4:1	1/1	B