

4

3

2

1

**MATERIAL & FINISH:**

- 1 BODY: BRASS, ALBALOY PLATED
- 2 CENTER CONTACT: PHOSPHOR BRONZE, GOLD PLATED
- 3 INSULATOR: PTFE
- 4 FASTENING NUT: BRASS, ALBALOY PLATED
- 5 LOCK WASHER: PHOSPHOR BRONZE, ALBALOY PLATED
- 6 O-RING: SILICONE RUBBER

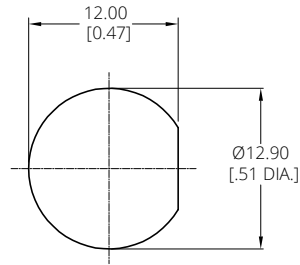
**ELECTRICAL DATA:**

- 1 IMPEDANCE: 50 Ω
- 2 FREQUENCY RANGE: DC ~ 18 GHz
- 3 VSWR: 1.35 MAX.

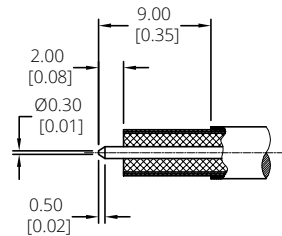
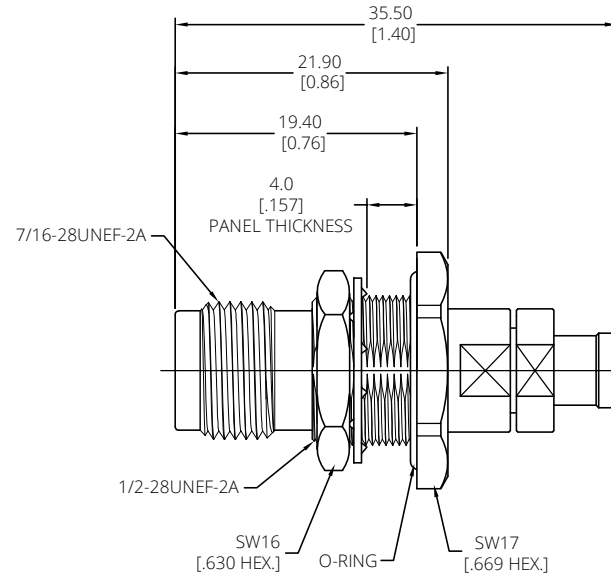
**ENVIRONMENTAL DATA:**

- 1 TEMPERATURE RANGE: -65°C~+125°C
- 2 2011/65/EU(RoHS) AND 2015/863/(RoHS): COMPLIANT
- 3 1907/2006/EC(REACH): COMPLIANT

REVISIONS			
REV.	DESCRIPTION	DATE	APPROVED
A	INITIAL RELEASE	12/09/24	J. Q



RECOMMENDED MOUNTING HOLE



CABLE STRIPPING DIMENSIONS

DRAWN	Y. W	DATE	12/09/24
CHECKED	X. Y	DATE	12/09/24
APPROVED	J. Q	DATE	12/09/24

UNLESS OTHERWISE SPECIFIED DIMENSIONS ARE IN MILLIMETERS, DIMENSIONS IN [ ] ARE IN INCHES FOR CUSTOMER REFERENCE ONLY UNLESS OTHERWISE SPECIFIED TOLERANCE ARE:

XX	±0.13 [0.005"]
X	±0.20 [0.008"]
X	±0.50 [0.019"]
X°	±1°
X°	±2°

THESE DRAWINGS AND SPECIFICATIONS ARE THE PROPERTY OF ANOISON ELECTRONICS LTD AND SHOULD NOT BE USED WITHOUT WRITTEN PERMISSION COPYRIGHT © 2024 ANOISON ELECTRONICS LTD



TITLE: TNCA STRAIGHT BULKHEAD WATERPROOF FEMALE SOLDER FOR PLEX140 CABLE

VIEW	PART NO.	ANO 3012-1023		
	SIZE	SCALE	SHEET	REV.
	A3	5:1	1/1	A

4

3

2

1