

4

3

2

1

MATERIAL & FINISH:

- 1 OUTER CONTACT: BRASS, NICKEL PLATED
- 2 COUPLING NUT: BRASS, NICKEL PLATED
- 3 CENTER CONTACT: BRASS, GOLD PLATED
- 4 INSULATOR 1: PTFE
- 5 INSULATOR 2: PEI

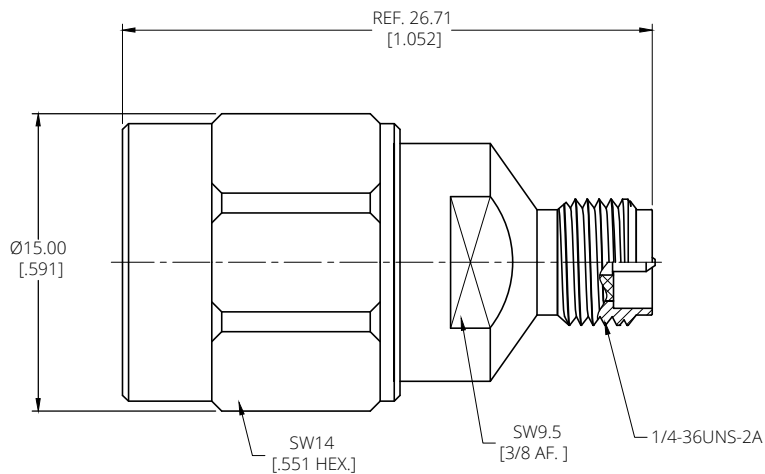
ELECTRICAL DATA:

- 1 IMPEDANCE: 50 Ω
- 2 FREQUENCY RANGE: DC~18 GHz
- 3 VSWR: 1.20 MAX. @ DC~11 GHz  
1.25 MAX. @ 11~18 GHz
- 4 INSERTION LOSS: 0.3 dB MAX.

ENVIRONMENTAL DATA:

- 1 TEMPERATURE RANGE: -55°C~+125°C
- 2 2011/65/EU(RoHS) AND 2015/863/(RoHS): COMPLIANT
- 3 1907/2006/EC(REACH): COMPLIANT

REVISIONS			
REV.	DESCRIPTION	DATE	APPROVED
A	INITIAL RELEASE	11/27/24	J. Q



DRAWN	Y. H	DATE	11/27/24
CHECKED	L. Y	DATE	11/27/24
APPROVED	J. Q	DATE	11/27/24
UNLESS OTHERWISE SPECIFIED DIMENSIONS ARE IN MILLIMETERS, DIMENSIONS IN [ ] ARE IN INCHES FOR CUSTOMER REFERENCE ONLY UNLESS OTHERWISE SPECIFIED TOLERANCE ARE:		THESE DRAWINGS AND SPECIFICATIONS ARE THE PROPERTY OF ANOISON ELECTRONICS LTD AND SHOULD NOT BE USED WITHOUT WRITTEN PERMISSION COPYRIGHT © 2024 ANOISON ELECTRONICS LTD	
XX	±0.13 [0.005"]		
X	±0.20 [0.008"]		
X	±0.50 [0.019"]		
X°	±1°		
X°	±2°		



TITLE			
ADAPTER, TNCA MALE TO RP SMA FEMALE			
VIEW		PART NO.	
		ANO 301-214-1693	
SIZE	SCALE	SHEET	REV.
A3	4:1	1/1	A

4

3

2

1