

4

3

2

1

MATERIAL & FINISH:

- 1 BODY: SEE TABLE
- 2 CENTER CONTACT: SEE TABLE
- 3 INSULATOR: PTFE
- 4 COUPLING NUT: SEE TABLE
- 5 GASKET: SILICONE RUBBER

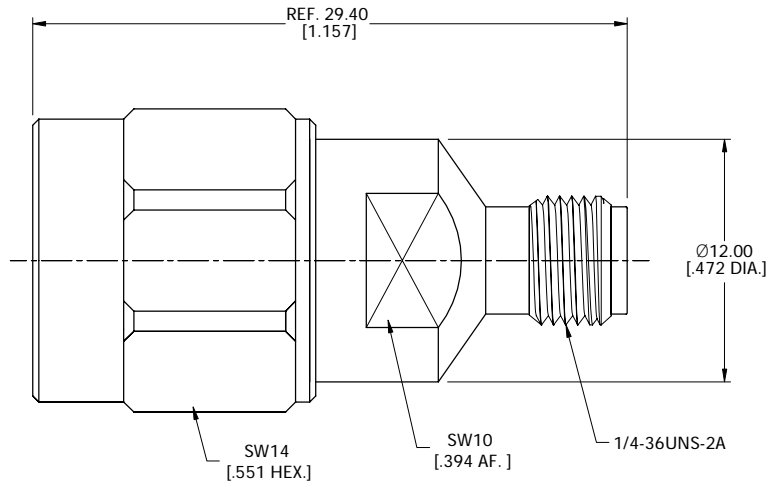
ELECTRICAL DATA:

- 1 IMPEDANCE: 50 Ω
- 2 FREQUENCY RANGE: DC-18 GHz
- 3 VSWR: 1.25 MAX.
- 4 PIM3: SEE TABLE

ENVIRONMENTAL DATA:

- 1 TEMPERATURE RANGE: -55°C ~ +125°C
- 2 2011/65/EU(RoHS) AND 2015/863/(RoHS): COMPLIANT
- 3 1907/2006/EC(REACH): COMPLIANT

REVISIONS			
REV.	DESCRIPTION	DATE	APPROVED
A	INITIAL RELEASE	05/17/12	J. Q
B	PART NUMBER CHANGED	07/25/12	J. Q
C	PART NO. ANO 301-212-1185-2 ADDED	07/25/12	J. Q



TABLE

PART NO.	PART	MATERIAL	FINISH	PIM3
ANO 301-212-1185	BODY	BRASS	NICKEL	—
	CENTER CONTACT	BERYLLIUM COPPER	GOLD	
	COUPLING NUT	BRASS	NICKEL	
ANO 301-212-1185-1	BODY	STAINLESS STEEL	PASSIVATED	—
	CENTER CONTACT	BERYLLIUM COPPER	GOLD	
	COUPLING NUT	STAINLESS STEEL	PASSIVATED	
ANO 301-212-1185-2	BODY	BRASS	ALBALOY	≤ -15dBc (2X43 dBm) AT 0.4-4 GHz
	CENTER CONTACT	BERYLLIUM COPPER	SILVER	
	COUPLING NUT	BRASS	ALBALOY	

DRAWN	X. Y	DATE	12/15/23		
CHECKED	W. Y	DATE	12/15/23		
APPROVED	J. Q	DATE	12/15/23		
UNLESS OTHERWISE SPECIFIED DIMENSIONS ARE IN MILLIMETERS, DIMENSIONS IN [] ARE IN INCHES FOR CUSTOMER REFERENCE ONLY UNLESS OTHERWISE SPECIFIED TOLERANCE ARE:		THESE DRAWINGS AND SPECIFICATIONS ARE THE PROPERTY OF ANOISON ELECTRONICS LTD AND SHOULD NOT BE USED WITHOUT WRITTEN PERMISSION COPYRIGHT © 2023 ANOISON ELECTRONICS LTD		TITLE	ADAPTER, TNCA MALE TO SMA FEMALE
XX	±0.13 [005"]	VIEW		PART NO.	ANO 301-212-1185
X	±0.20 [008"]	SIZE	A3	SCALE	5:1
X	±0.50 [019"]	SHEET	1/1	REV.	C
X°	±1°				
X"	±2°				

4

3

2

1