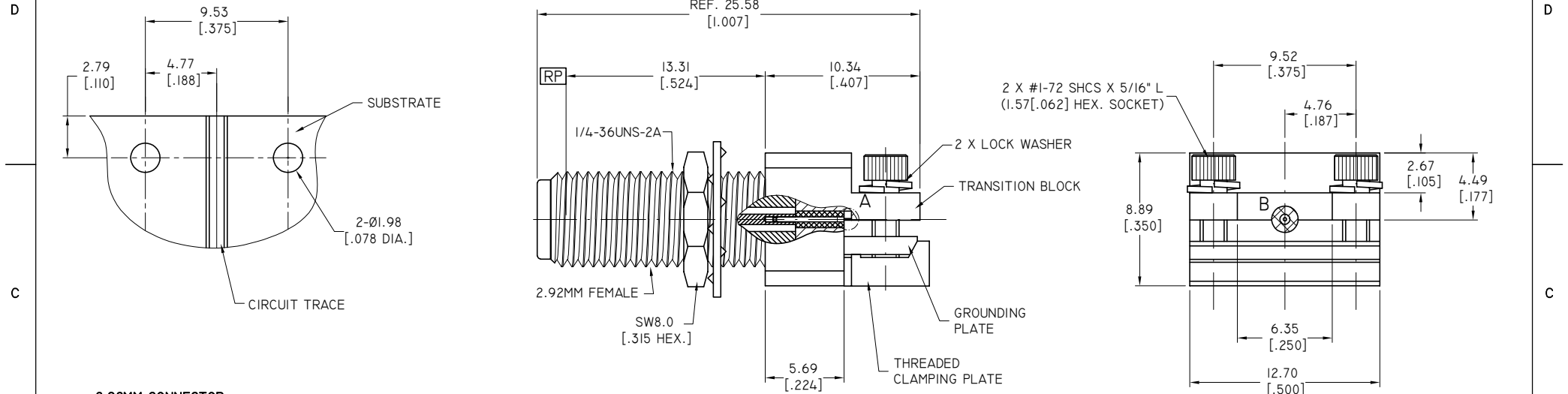


REVISIONS			
REV.	DESCRIPTION	DATE	APPROVED
A	INITIAL RELEASE	06/30/23	J. QU



2.92MM CONNECTOR

1. BODY: STAINLESS STEEL, PASSIVATED
2. CENTER CONTACT: BERYLLIUM COPPER ALLOY, GOLD PLATED
3. INSULATOR: PEI

TRANSITION BLOCK

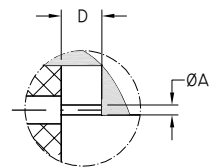
1. TRANSITION BLOCK: BRASS, NICKEL PLATED
2. THREADED CLAMPING PLATE: BRASS, NICKEL PLATED
3. LAUNCH PIN: BERYLLIUM COPPER ALLOY, GOLD PLATED
4. TRANSITION BLOCK DIELECTRIC: PTFE

ENVIRONMENTAL DATA:

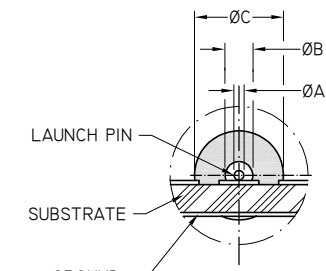
1. TEMPERATURE RANGE: -55°C~+125°C
2. 2011/65/EU (RoHS): COMPLIANT

ELECTRICAL SPECIFICATIONS:

1. IMPEDANCE: 50 Ω
2. FREQUENCY RANGE: DC~40 GHz




DETAIL A



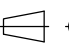
DETAIL B

PART NO.	Ø A	Ø B	Ø C	D
ANO 292-C1	0.13 [.005]	0.23 [.009]	0.75 [.0295]	0.76 [.030]

DRAWN	W. Y	DATE	06/30/23
CHECKED	X. Y	DATE	06/30/23
APPROVED	J. Q	DATE	06/30/23
UNLESS OTHERWISE SPECIFIED DIMENSIONS ARE IN MILLIMETERS, DIMENSIONS IN [] ARE IN INCHES FOR CUSTOMER REFERENCE ONLY UNLESS OTHERWISE SPECIFIED TOLERANCE ARE:		THESE DRAWINGS AND SPECIFICATIONS ARE THE PROPERTY OF ANOISON ELECTRONICS LTD AND SHOULD NOT BE USED WITHOUT WRITTEN PERMISSION COPYRIGHT © 2023 ANOISON ELECTRONICS LTD	
.XX	±0.13 [.005"]		
.X	±0.20 [.008"]		
X	±0.50 [.019"]		
X°	±1°		
X"	±2°		



TITLE
2.92MM FEMALE END LAUNCH CONNECTOR
SUPER SMALL END LAUNCH-WIDE

VIEW 

PART NO. ANO 292-C1			
SIZE A3	SCALE 4:1	SHEET 1/1	REV. A