

4

3

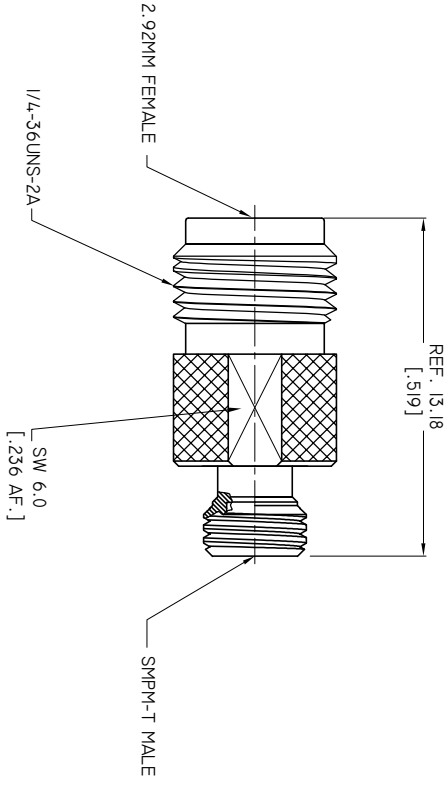
2

1

- MATERIAL & FINISH**
- 1 BODY: STAINLESS STEEL, PASSIVATED
 - 2 CENTER CONTACT: BERYLLIUM COPPER ALLOY, GOLD PLATED
 - 3 INSULATOR: PEI
- ENVIRONMENTAL DATA:**
- 1 TEMPERATURE RANGE: -55°C~+125°C
 - 2 2011/65/EU (ROHS): COMPLIANT

- ELECTRICAL DATA:**
- 1 IMPEDANCE: 50 OHMS
 - 2 FREQUENCY RANGE: DC~40 GHZ
 - 3 VSWR: 51:20 AT DC~18GHZ
51:30 AT 18~26.5GHZ
51:50 AT 26.5~40GHZ

REVISIONS			
REV.	DESCRIPTION	DATE	APPROVED
A	INITIAL RELEASE	01/09/20	J. QU



PART NO.	INTERFACE
ANO 292-941-1523-1	FULL DETENT
ANO 292-941-1523-2	SMOOTH BORE

DRAWN	W. YANG	DATE	01/09/20
CHECKED	L. YANG	DATE	01/09/20
APPROVED	J. QU	DATE	01/09/20

UNLESS OTHERWISE SPECIFIED DIMENSIONS ARE IN MILLIMETERS, DIMENSIONS IN [] ARE IN INCHES FOR CUSTOMER REFERENCE ONLY UNLESS OTHERWISE SPECIFIED TOLERANCE ARE:

.XX	+0.13 [.005"]
.X	+0.20 [.008"]
X ^o	+0.50 [.010"]
X ^s	±2°

THESE DRAWINGS AND SPECIFICATIONS ARE THE PROPERTY OF ANOISON ELECTRONICS LTD AND SHOULD NOT BE USED WITHOUT WRITTEN PERMISSION COPYRIGHT © 2020 ANOISON ELECTRONICS LTD

ANOISON
...we create connection for technologies

TITLE
ADAPTER, 2.92MM FEMALE TO SMPM-T MALE

VIEW
VIEW

PART NO.	ANO 292-941-1523
SIZE	A3
SCALE	5:1
SHEET	1/1
REV.	A

A

B

C

D

4

3

2

1

A

B

C

D