

4

3

2

1

MATERIAL & FINISH

- 1 BODY: STAINLESS STEEL, PASSIVATED
- 2 CENTER CONTACT: BERYLLIUM COPPER ALLOY, GLOD PLATED
- 3 OUTER CONTACT: BERYLLIUM COPPER ALLOY, GLOD PLATED
- 4 INSULATOR: PTFE & PEI

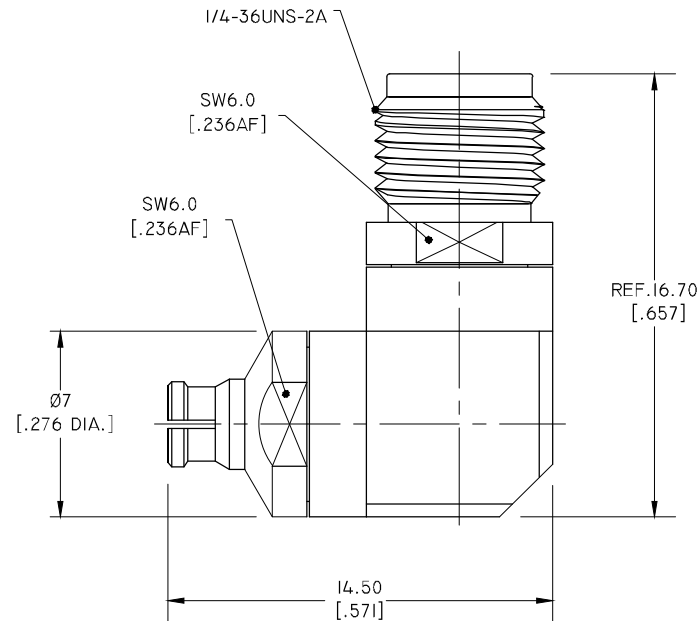
ENVIRONMENTAL DATA:

- 1 TEMPERATURE RANGE: -55°C~+165°C
- 2 2011/65/EU (RoHS): COMPLIANT

ELECTRICAL DATA:

- 1 IMPEDANCE: 50 OHMS
- 2 FREQUENCY RANGE: DC~40 GHZ
- 3 VSWR: 1.35 MAX.
- 4 INSERTION LOSS: 0.6 DB MAX.
- 5 WITHSTANDING VOLTAGE: 750 VRMS MIN.
- 6 PHASE MATCH: $\pm 5^\circ$ @ DC-40 GHZ

REVISIONS			
REV.	DESCRIPTION	DATE	APPROVED
A	INITIAL RELEASE	12/23/19	J. QU



DRAWN	W. YANG	DATE	12/23/19
CHECKED	L. YANG	DATE	12/23/19
APPROVED	J. QU	DATE	12/23/19
UNLESS OTHERWISE SPECIFIED DIMENSIONS ARE IN MILLIMETERS, DIMENSIONS IN [] ARE IN INCHES FOR CUSTOMER REFERENCE ONLY UNLESS OTHERWISE SPECIFIED TOLERANCE ARE:		THESE DRAWINGS AND SPECIFICATIONS ARE THE PROPERTY OF ANOISON ELECTRONICS LTD AND SHOULD NOT BE USED WITHOUT WRITTEN PERMISSION COPYRIGHT © 2019 ANOISON ELECTRONICS LTD	
.XX	± 0.13 [.005"]		
.X	± 0.20 [.008"]		
X	± 0.50 [.019"]		
.X°	$\pm 1^\circ$		
X°	$\pm 2^\circ$		



TITLE				
ADAPTER, RIGHT ANGLE 2.92MM FEMALE TO SMP FEMALE				
VIEW		PART NO.		
		ANO 292-932-2521		
SIZE	SCALE	SHEET	REV.	
A3	5:1	1/1	A	