

REVISIONS			
REV.	DESCRIPTION	DATE	APPROVED
A	INITIAL RELEASE	10/14/24	J Q

MATERIAL & FINISH:

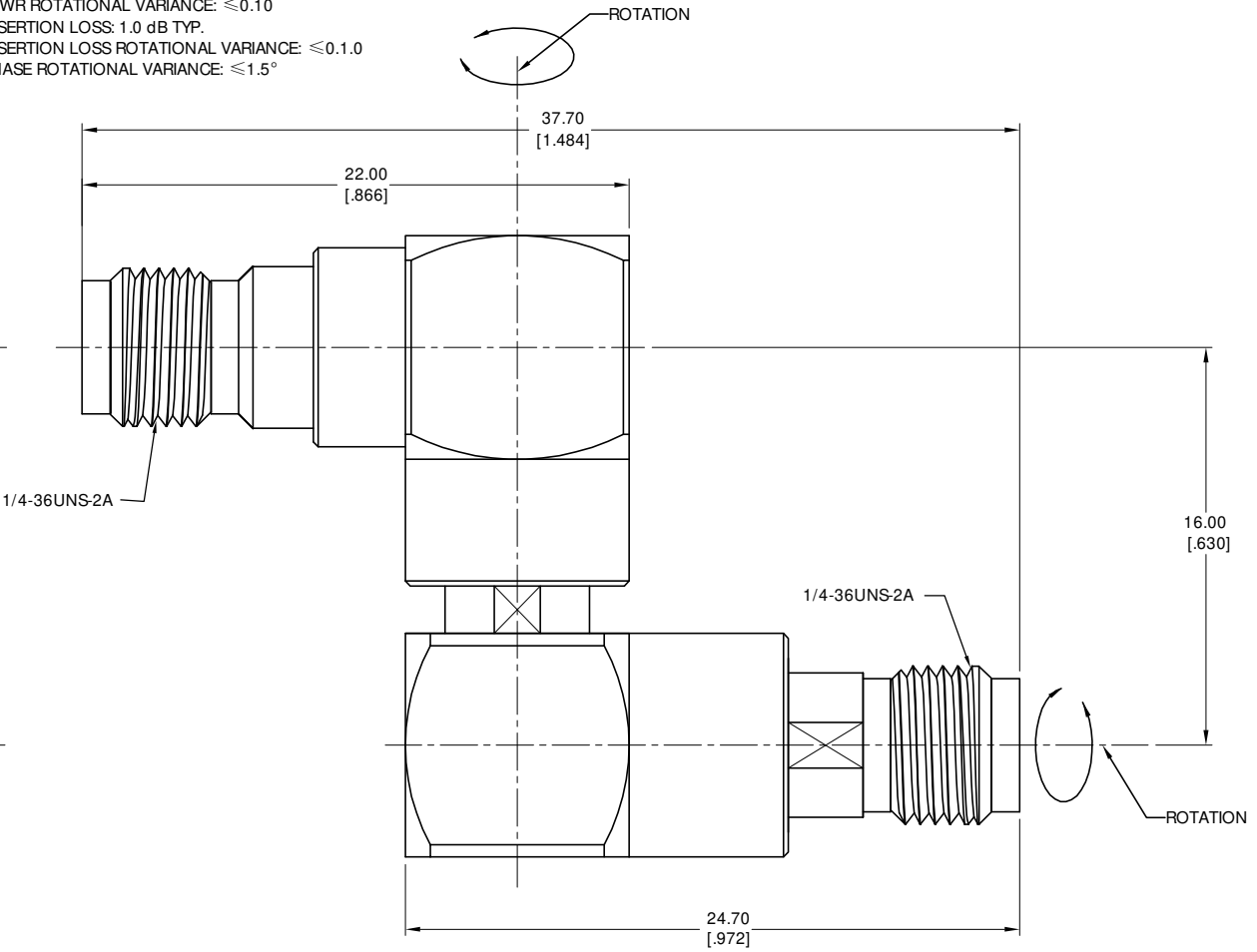
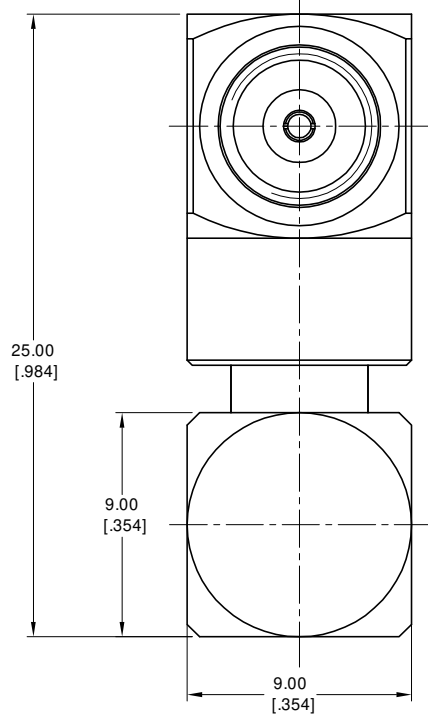
- 1 BODY: BRASS, GOLD PLATED
- 2 CENTER CONTACT: BERYLLIUM COPPER ALLOY, GOLD PLATED
- 3 INSULATOR: PEI

ELECTRICAL DATA:

- 1 IMPEDANCE: 50 Ω
- 2 FREQUENCY RANGE: DC~40 GHz
- 3 VSWR: 1.50 MAX.
- 4 VSWR ROTATIONAL VARIANCE: ≤0.10
- 5 INSERTION LOSS: 1.0 dB TYP.
- 6 INSERTION LOSS ROTATIONAL VARIANCE: ≤0.1.0
- 7 PHASE ROTATIONAL VARIANCE: ≤1.5°

ENVIRONMENTAL DATA:

- 1 TEMPERATURE RANGE: -55 °C~+125 °C
- 2 2011/65/EU (RoHS) AND 2015/863/(RoHS): COMPLIANT
- 3 1999/2006/EC (REACH): COMPLIANT



DRAWN	P. C	DATE	10/14/24
CHECKED	W. Y	DATE	10/14/24
APPROVED	J Q	DATE	10/14/24
UNLESS OTHERWISE SPECIFIED DIMENSIONS ARE IN MILLIMETERS, DIMENSIONS IN [] ARE IN INCHES FOR CUSTOMER REFERENCE ONLY UNLESS OTHERWISE SPECIFIED TOLERANCE ARE:		THESE DRAWINGS AND SPECIFICATIONS ARE THE PROPERTY OF ANOISON ELECTRONICS LTD AND SHOULD NOT BE USED WITHOUT WRITTEN PERMISSION COPYRIGHT © 2024 ANOISON ELECTRONICS LTD	
XX	±0.13 [0.005"]		
X	±0.20 [0.008"]		
X	±0.50 [0.019"]		
X"	±1°		
X"	±2°		



TITLE
SWIVEL JOINT ADAPTER
 2.92mm FEMALE TO 2.92mm FEMALE OPERATING TO 40GHz

VIEW	PART NO.	ANO 292-292-2674-S		
SIZE	SCALE	SHEET	REV.	
A3	5:1	1/1	A	