

MATERIAL & FINISH:

- 1 BODY: STAINLESS STEEL, PASSIVATED
- 2 CENTER CONTACT: BERYLLIUM COPPER ALLOY, GOLD PLATED
- 3 \A1: FASTENING NUT: STAINLESS STEEL, PASSIVATED
- 4 LOCK WASHER: PHOSPHOR BRONZE, ALBALOY PLATED
- 5 INSULATOR 1: PTFE
- 6 INSULATOR 2: GLASS
- 7 O-RING: SILICONE RUBBER

MECHANICAL DATA:

- 1 HERMETICITY: 1×10^{-8} CC/SEC AT ONT ATMOSPHERE
- 2 WEATHERPROOF: 30 PSI MAX.
- 3 RECOMMENDED MATING TORQUE: 7 TO 10 IN-LBS
- 4 MATING CHARACTERISTICS:
 - INSERTION: 3.0 LBS MAX.
 - WITHDRASAL: 1.0 MIN. OZ
- 5 FORCE TO ENGAGE AND DISENGAGE: 2.0 MIN. IN-LBS
- 6 CENTER CONTACT CAPTIVATION
 - AXIAL: 6.0 LBS
 - RADIAL: N/A IN-OZ

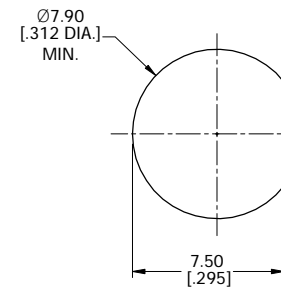
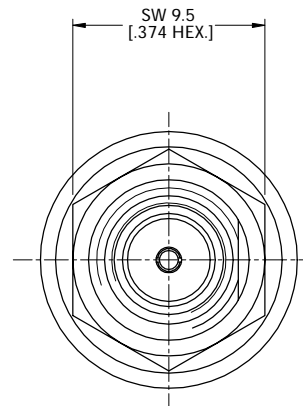
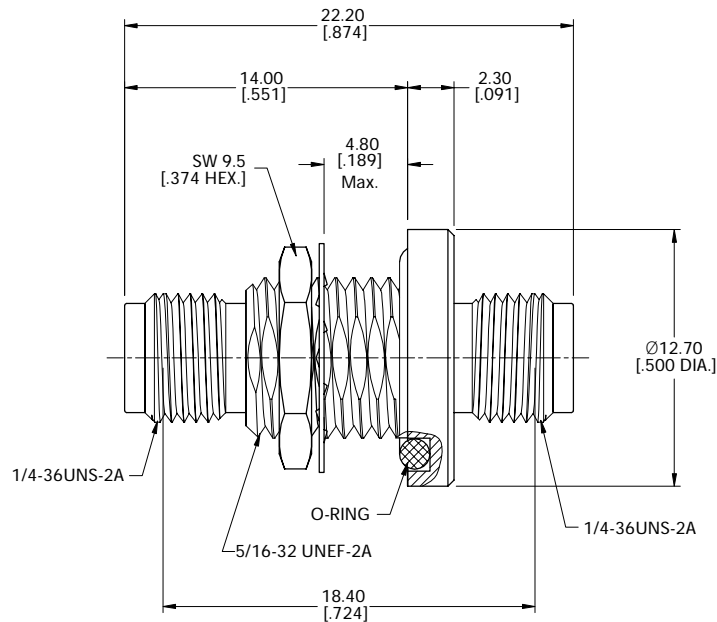
ELECTRICAL DATA:

- 1 IMPEDANCE: 50 Ω
- 2 FREQUENCY RANGE: DC - 40 GHz
- 3 VSWR: 1.35 MAX.
- 4 INSERTION: $0.15 \sqrt{F(\text{GHz})}$
- 5 VOLT RATING: 335 MAX. VRMS AT SEA LEVEL
- 6 DIELECTRIC WITHSTANDING VOLTAGE: 750 VRMS MIN. AT SEA LEVEL
- 7 CONTACT RESISTANCE
 - CENTER CONTACT: 12.0 MILLIOHMS MAX.
 - OUTER CONTACT: 4.0 MILLIOHMS MAX.

ENVIRONMENTAL DATA:

- 1 TEMPERATURE RANGE: -55°C ~ +125°C
- 2 2011/65/EU(RoHS) AND 2015/863/(RoHS): COMPLIANT
- 3 1907/2006/EC(REACH): COMPLIANT

REVISIONS			
REV.	DESCRIPTION	DATE	APPROVED
A	INITIAL RELEASE	08/23/24	J. Q



RECOMMENDED MOUNTING HOLE

DRAWN	X. Y	DATE	08/23/24
CHECKED	W. Y	DATE	08/23/24
APPROVED	J. Q	DATE	08/23/24
UNLESS OTHERWISE SPECIFIED DIMENSIONS ARE IN MILLIMETERS, DIMENSIONS IN [] ARE IN INCHES FOR CUSTOMER REFERENCE ONLY UNLESS OTHERWISE SPECIFIED TOLERANCE ARE:		THESE DRAWINGS AND SPECIFICATIONS ARE THE PROPERTY OF ANOISON ELECTRONICS LTD AND SHOULD NOT BE USED WITHOUT WRITTEN PERMISSION COPYRIGHT © 2023 ANOISON ELECTRONICS LTD	
XX	±0.13 [005"]		
X	±0.20 [008"]		
X	±0.50 [019"]		
X°	±1°		
X"	±2°		



TITLE			
ADAPTER, 2.9MM BULKHEAD WATERPROOF FEMALE TO 2.92 FEMALE, HERMETIC SEAL			
VIEW	PART NO.		
	ANO 292-292-1650		
SIZE	SCALE	SHEET	REV.
A3	4:1	1/1	A