

4

3

2

1

**MATERIAL & FINISH:**

- 1 BODY: STAINLESS STEEL, PASSIVATED
- 2 CENTER CONTACT: BERYLLIUM COPPER ALLOY, GOLD PLATED
- 3 INSULATOR: PEI & PTFE

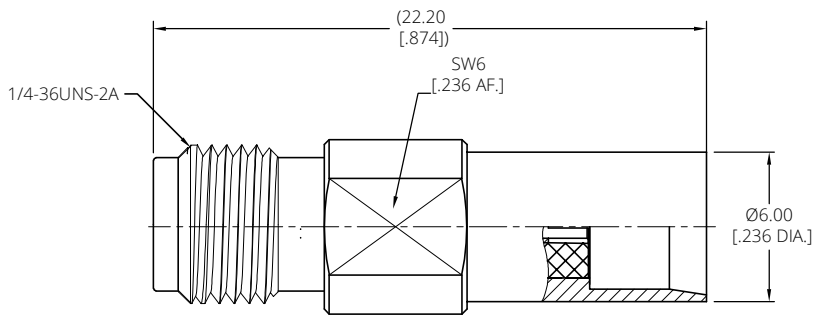
**ELECTRICAL DATA:**

- 1 IMPEDANCE: 50 Ω
- 2 FREQUENCY RANGE: DC~26.5 GHz
- 3 VSWR: 1.35 MAX.

**ENVIRONMENTAL DATA:**

- 1 TEMPERATURE RANGE: -55°C~+165°C
- 2 2011/65/EU(RoHS) AND 2015/863/(RoHS): COMPLIANT
- 3 1999/45/EC(REACH): COMPLIANT

REVISIONS			
REV.	DESCRIPTION	DATE	APPROVED
A	INITIAL RELEASE	07/01/25	J. Q



DRAWN	W. Y	DATE	07/01/25
CHECKED	X. Y	DATE	07/01/25
APPROVED	J. Q	DATE	07/01/25
UNLESS OTHERWISE SPECIFIED DIMENSIONS ARE IN MILLIMETERS, DIMENSIONS IN [ ] ARE IN INCHES FOR CUSTOMER REFERENCE ONLY UNLESS OTHERWISE SPECIFIED TOLERANCE ARE:		THESE DRAWINGS AND SPECIFICATIONS ARE THE PROPERTY OF ANOISON ELECTRONICS LTD AND SHOULD NOT BE USED WITHOUT WRITTEN PERMISSION COPYRIGHT © 2025 ANOISON ELECTRONICS LTD	
XX	±0.13 [ .005"]		
X	±0.20 [ .008"]		
X	±0.50 [ .019"]		
X°	±1°		
X°	±2°		

**TITLE**  
ADAPTER  
2.92MM FEMALE TO PO-26 FEMALE

**VIEW**

**PART NO.**  
ANO 292-212-1722

<b>SIZE</b> A3	<b>SCALE</b> 2.5:1	<b>SHEET</b> 1/1	<b>REV.</b> A
-------------------	-----------------------	---------------------	------------------

4

3

2

1