

MATERIAL & FINISH:

- 1 BODY: BRASS, GOLD PLATED
- 2 CENTER CONTACT: BERYLLIUM COPPER ALLOY, GOLD PLATED
- 3 INSULATOR: PTFE & PEI
- 4 SCREWS: STAINLESS STEEL, PASSIVATED

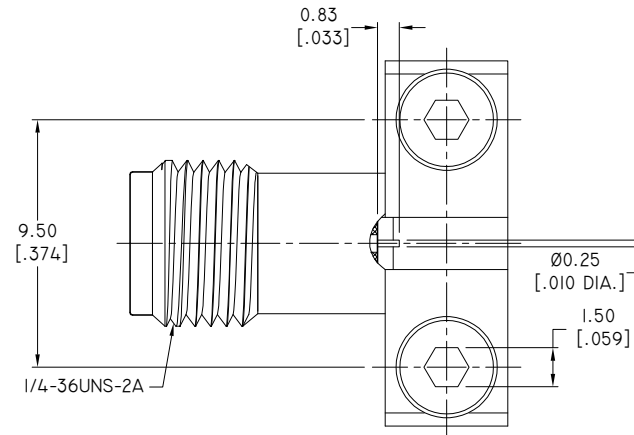
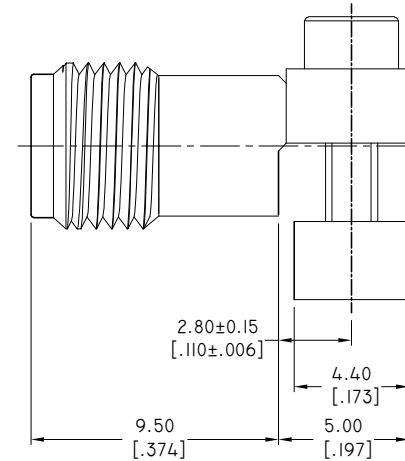
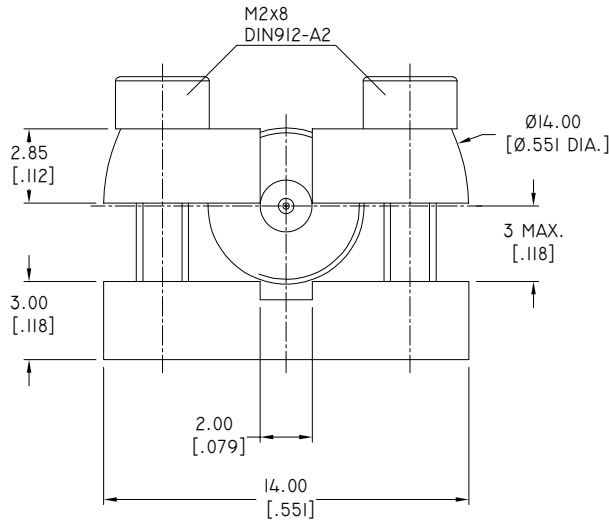
ENVIRONMENTAL DATA:

- 1 OPERATING TEMPERATURE: -65°C~+165°C
- 2 2011/65/EU (RoHS): COMPLIANT

REVISIONS			
REV.	DESCRIPTION	DATE	APPROVED
A	INITIAL RELEASE	08/17/18	J. QU

ELECTRICAL DATA:

- 1 IMPEDANCE: 50 OHMS
- 2 FREQUENCY RANGE: DC~40 GHZ



DRAWN	W. YANG	DATE	08/17/18
CHECKED	X. B. YANG	DATE	08/17/18
APPROVED	J. QU	DATE	08/17/18

UNLESS OTHERWISE SPECIFIED DIMENSIONS ARE IN MILLIMETERS, DIMENSIONS IN [] ARE IN INCHES FOR CUSTOMER REFERENCE ONLY UNLESS OTHERWISE SPECIFIED TOLERANCE ARE:

.XX	±0.08 [0.003"]
.X	±0.20 [0.008"]
X	±0.50 [0.019"]
.X°	±1°
X°	±2°

THESE DRAWINGS AND SPECIFICATIONS ARE THE PROPERTY OF ANOISON ELECTRONICS LTD AND SHOULD NOT BE USED WITHOUT WRITTEN PERMISSION COPYRIGHT © 2018 ANOISON ELECTRONICS LTD



TITLE
2.92 FEMALE RIGTH ANGLE END LAUNCH

VIEW	PART NO. ANO 2912-4105		
SIZE	SCALE	SHEET	REV.
A3	5:1	I/I	A