

**MATERIAL & FINISH:**

- 1 BODY: BRASS, NICKEL PLATE
- 2 CENTER CONTACT: BERYLLIUM COPPER ALLOY, GOLD PLATED
- 3 INSULATOR: PTFE & PEI
- 4 SPRING WASHER: STAINLESS STEEL
- 5 SCREW: STEEL

**ENVIRONMENTAL DATA:**

- 1 TEMPERATURE RANGE: -55°C~+125°C
- 2 2011/65/EU(RoHS) AND 2015/863/(RoHS): COMPLIANT
- 3 1999/2006/EC(REACH): COMPLIANT

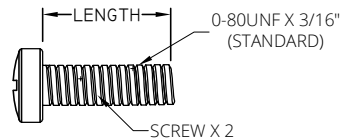
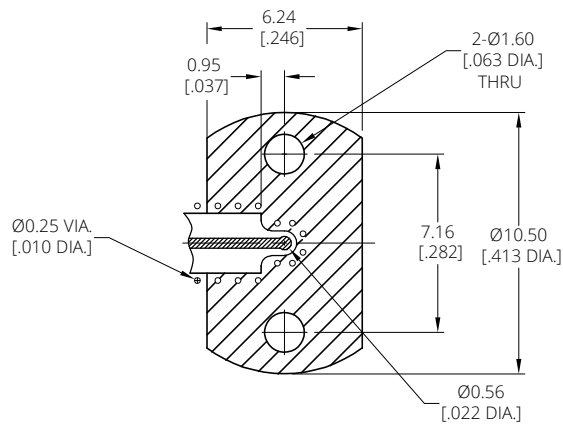
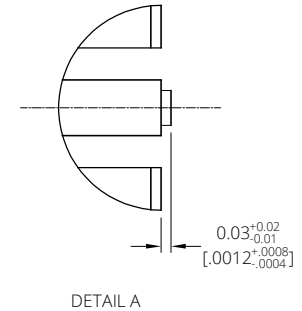
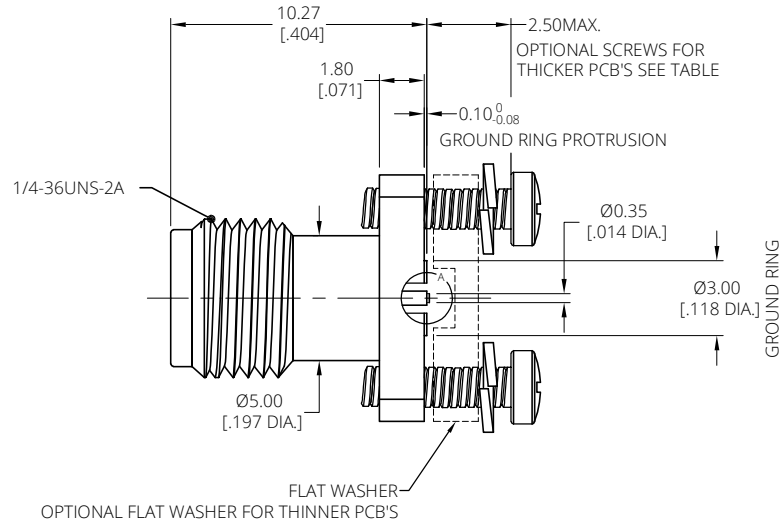
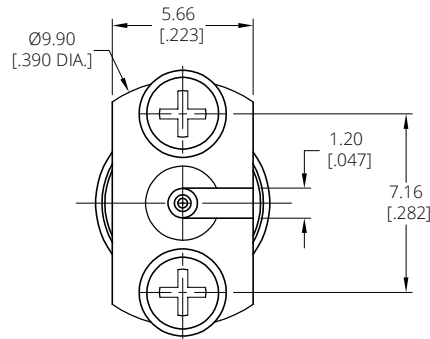
**ELECTRICAL DATA:**

- 1 IMPEDANCE: 50 Ω
- 2 FREQUENCY RANGE: DC-40 GHz
- 3 VSWR: 1.30 MAX.

**NOTES:**

0-80UNF-2A SCREW TIGHTENING TORQUE IS 0.09N.M

REVISIONS			
REV.	DESCRIPTION	DATE	APPROVED
A	INITIAL RELEASE	05/31/24	J. Q



P/N	SCREW LENGTH	PCB THICKNESS
ANO 2912-3204	4.76[3/16"]	2.5[.098] MAX. STANDARD (ALREADY INCLUDED WITH THE CONNECTOR)
ANO 2912-3204-1	6.35[1/4"]	1.8[.071]-4.2[.165] (OPTIONAL)
ANO 2912-3204-2	7.94[5/16"]	3.2[.126]-5.7[.224] (OPTIONAL)
ANO 2912-3204-3	9.53[3/8"]	4.8[.189]-7.5[.295] (OPTIONAL)
ANO 2912-3204-4	11.11[7/16"]	6.4[.252]-8.9[.350] (OPTIONAL)

DRAWN	W. Y	DATE	05/31/24
CHECKED	P. C	DATE	05/31/24
APPROVED	J. Q	DATE	05/31/24



UNLESS OTHERWISE SPECIFIED DIMENSIONS ARE IN MILLIMETERS, DIMENSIONS IN [ ] ARE IN INCHES FOR CUSTOMER REFERENCE ONLY UNLESS OTHERWISE SPECIFIED TOLERANCE ARE:

XX	±0.13 [005"]
X	±0.20 [008"]
X	±0.50 [019"]
X°	±1°
X"	±2°

THESE DRAWINGS AND SPECIFICATIONS ARE THE PROPERTY OF ANOISON ELECTRONICS LTD AND SHOULD NOT BE USED WITHOUT WRITTEN PERMISSION COPYRIGHT © 2024 ANOISON ELECTRONICS LTD

TITLE			
2.92MM STRAIGHT FEMALE PCB END LAUNCH FOR MICROSTRIP			
VIEW	PART NO.		
	ANO 2912-3204		
SIZE	SCALE	SHEET	REV.
A3	8:1	1/1	A