

4

3

2

1

REVISIONS			
REV.	DESCRIPTION	DATE	APPROVED
A	INITIAL RELEASE	12/01/23	J Q

**MATERIAL & FINISH:**

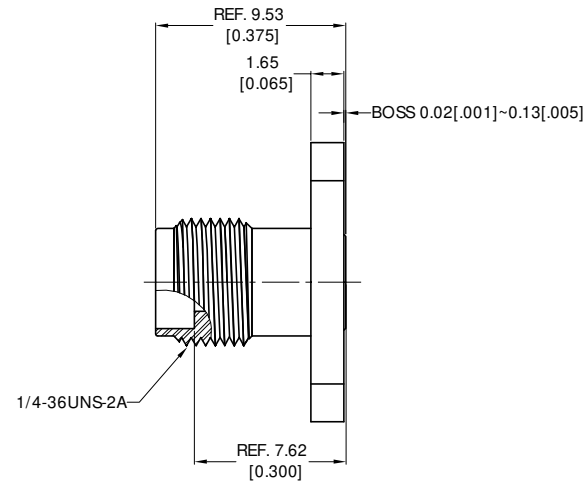
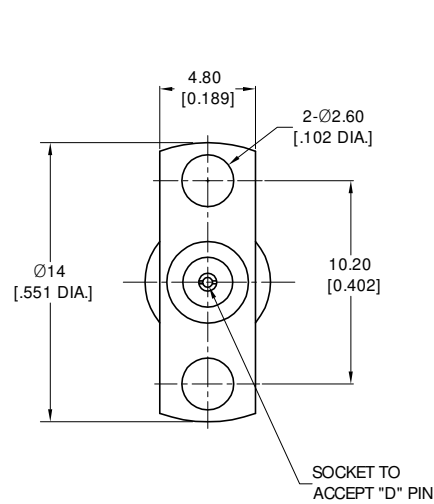
- 1 BODY: STAINLESS STEEL, PASSIVATED
- 2 CENTER CONTACT: BERYLLIUM COPPER ALLOY, GOLD PLATED
- 3 INSULATOR: PEI & PTFE

**ELECTRICAL DATA:**

- 1 IMPEDANCE: 50 Ω
- 2 FREQUENCY RANGE: DC~43.5 GHz
- 3 VSWR: ≤ 1.10 DC~27GHz  
≤ 1.15 27~43.5GHz
- 4 INSERTION LOSS: ≤ 0.035X √ FGHz

**ENVIRONMENTAL DATA:**

- 1 TEMPERATURE RANGE: -55 °C~+125 °C
- 2 2011/65/EU (RoHS) AND 2015/863/(RoHS): COMPLIANT
- 3 1999/2006/EC (REACH): COMPLIANT



PART NO.	D	MAX. PIN DEPTH
ANO 2912-3192-1	∅0.23 [.009 DIA.]	1.65 [.065]
ANO 2912-3192-2	∅0.30 [.012 DIA.]	1.52 [.060]
ANO 2912-3192-3	∅0.51 [.020 DIA.]	1.65 [.065]

DRAWN	P. C	DATE	12/01/23
CHECKED	X. Y	DATE	12/01/23
APPROVED	J Q	DATE	12/01/23
UNLESS OTHERWISE SPECIFIED DIMENSIONS ARE IN MILLIMETERS, DIMENSIONS IN [ ] ARE IN INCHES FOR CUSTOMER REFERENCE ONLY UNLESS OTHERWISE SPECIFIED TOLERANCE ARE:		THESE DRAWINGS AND SPECIFICATIONS ARE THE PROPERTY OF ANOISON ELECTRONICS LTD AND SHOULD NOT BE USED WITHOUT WRITTEN PERMISSION COPYRIGHT © 2023 ANOISON ELECTRONICS LTD	
.XX	±0.13 [.005"]		
.X	±0.20 [.008"]		
X	±0.50 [.019"]		
.X°	±1°		
X°	±2°		



TITLE  
2.92MM STRAIGHT FEMALE, 2 HOLES FLANGE  
FIELD REPLACEABLE, DC~43.5 GHz

VIEW	PART NO. ANO 2912-3192			
	SIZE A3	SCALE 4:1	SHEET 1/1	REV. A

4

3

2

1