

4 3 2 1

MATERIAL & FINISH:

- 1 BODY: STAINLESS STEEL, PASSIVATED
- 2 CENTER CONTACT: BERYLLIUM COPPER ALLOY, GOLD PLATED
- 3 INSULATOR: PEI & PTFE

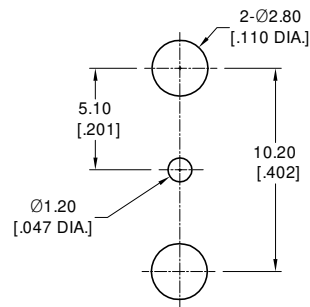
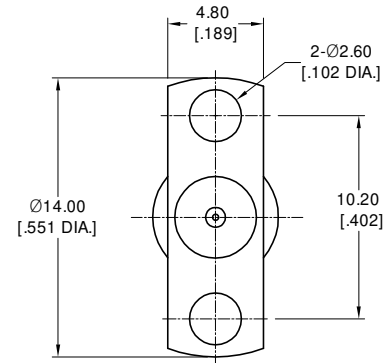
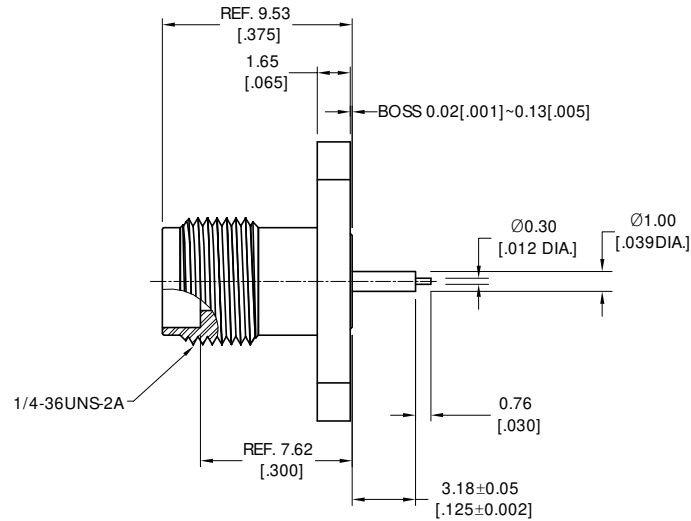
ELECTRICAL DATA:

- 1 IMPEDANCE: 50 Ω
- 2 FREQUENCY RANGE: DC~43.5 GHz
- 3 VSWR: 1.10 MAX. AT DC~27 GHz
1.20 MAX. AT 27~43.5 GHz

ENVIRONMENTAL DATA:

- 1 TEMPERATURE RANGE: -55 °C~+125 °C
- 2 2011/65/EU (RoHS) AND 2015/863/(RoHS): COMPLIANT
- 3 1999/2006/EC (REACH): COMPLIANT

REVISIONS			
REV.	DESCRIPTION	DATE	APPROVED
A	INITIAL RELEASE	01/28/23	J Q
B	3.18±0.05/ [.125±0.002] WAS 3.18/ [.125]	02/03/23	J Q
C	ADDED Recommended Mounting Hole	03/10/25	J Q



Recommended Mounting Hole

DRAWN	P. C	DATE	03/10/25
CHECKED	W. Y	DATE	03/10/25
APPROVED	J Q	DATE	03/10/25
UNLESS OTHERWISE SPECIFIED DIMENSIONS ARE IN MILLIMETERS, DIMENSIONS IN [] ARE IN INCHES FOR CUSTOMER REFERENCE ONLY UNLESS OTHERWISE SPECIFIED TOLERANCE ARE:		THESE DRAWINGS AND SPECIFICATIONS ARE THE PROPERTY OF ANOISON ELECTRONICS LTD AND SHOULD NOT BE USED WITHOUT WRITTEN PERMISSION COPYRIGHT © 2025 ANOISON ELECTRONICS LTD	
	XX	±0.13 [.005"]	
	X	±0.20 [.008"]	
	X	±0.50 [.019"]	
	X'	±1°	
	X'	±2°	



TITLE			
2.92MM FEMALE, 2 HOLE FLANGE MOUNT, EXTENDED DIELECTRIC, POST CONTACT			
VIEW		PART NO.	
		ANO 2912-3176	
SIZE	SCALE	SHEET	REV.
A3	4:1	1/1	C

4 3 2 1