

4 3 2 1

MATERIAL & FINISH:

- 1 BODY: STAINLESS STEEL, PASSIVATED
- 2 CENTER CONTACT: BERYLLIUM COPPER ALLOY, GOLD PLATED
- 3 INSULATOR: PEI

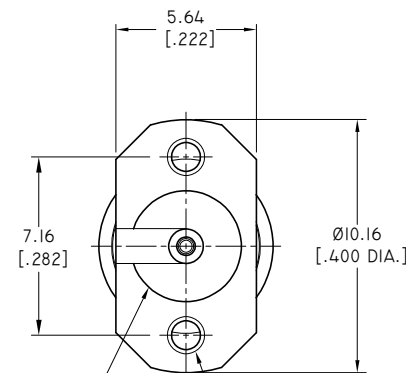
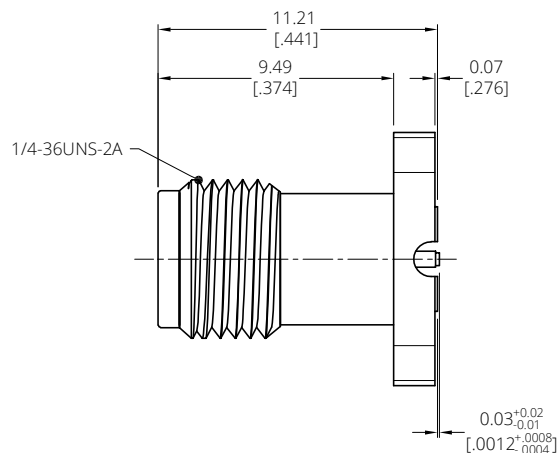
ELECTRICAL DATA:

- 1 IMPEDANCE: 50 Ω
- 2 FREQUENCY RANGE: DC~40 GHZ

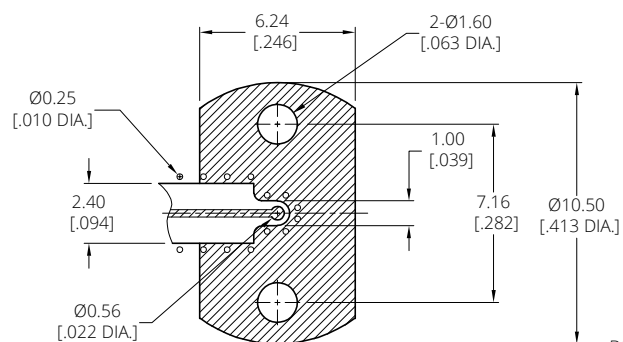
REVISIONS			
REV.	DESCRIPTION	DATE	APPROVED
A	INITIAL RELEASE	03/08/22	J. QU

ENVIRONMENTAL DATA:

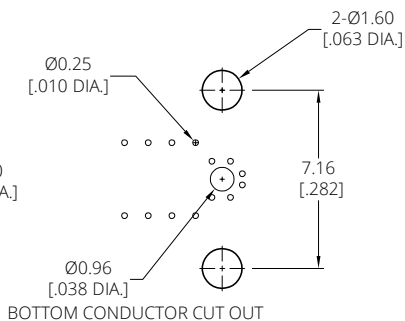
- 1 TEMPERATURE RANGE: -55°C~+125°C
- 2 2011/65/EU (RoHS): COMPLIANT



METAL CONTACT RING 2xØ1.60 [0.063 DIA.]



RECOMMEND TOP PCB LAYOUT



RECOMMEND BOTTOM PCB LAYOUT

DRAWN	W. YANG	DATE	03/08/22
CHECKED	L. YANG	DATE	03/08/22
APPROVED	J. QU	DATE	03/08/22
UNLESS OTHERWISE SPECIFIED DIMENSIONS ARE IN MILLIMETERS, DIMENSIONS IN [] ARE IN INCHES FOR CUSTOMER REFERENCE ONLY UNLESS OTHERWISE SPECIFIED TOLERANCE ARE:		THESE DRAWINGS AND SPECIFICATIONS ARE THE PROPERTY OF ANOISON ELECTRONICS LTD AND SHOULD NOT BE USED WITHOUT WRITTEN PERMISSION COPYRIGHT © 2022 ANOISON ELECTRONICS LTD	
.XX	±0.08 [0.003"]		
.X	±0.20 [0.008"]		
X	±0.50 [0.019"]		
.X°	±1°		
X°	±2°		



TITLE
2.92MM STRAIGHT FEMALE 2 HOLE FLANGE MOUNT W/MOUSE HOLE

VIEW	PART NO.	ANO 2912-3169		
	SIZE	SCALE	SHEET	REV.
	A3	5:1	1/1	A

4 3 2 1