

4

3

2

1

MATERIAL & FINISH:

- 1 BODY: STAINLESS STEEL, PASSIVATED
- 2 CENTER CONTACT: BERYLLIUM COPPER ALLOY, GOLD PLATED
- 3 INSULATOR: PEI & PTFE

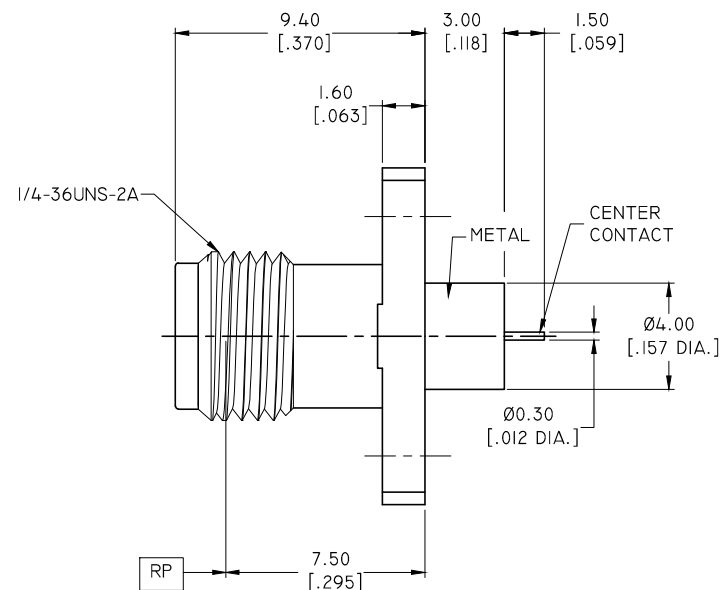
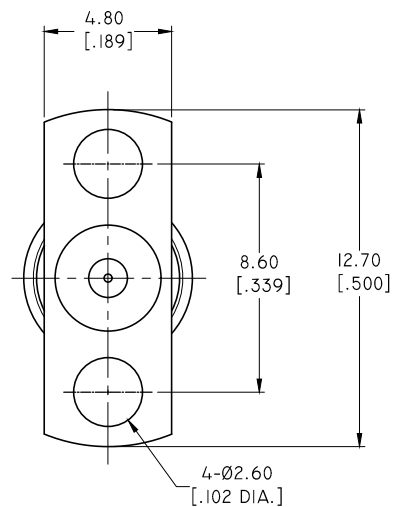
ELECTRICAL DATA:

- 1 IMPEDANCE: 50 Ω
- 2 FREQUENCY RANGE: DC~40 GHZ
- 3 VSWR: 1.15 MAX.

REVISIONS			
REV.	DESCRIPTION	DATE	APPROVED
A	INITIAL RELEASE	03/28/19	J. QU

ENVIRONMENTAL DATA:

- 1 TEMPERATURE RANGE: -55°C~+125°C
- 2 2011/65/EU(ROHS) AND 2015/863/(ROHS): COMPLIANT
- 3 1999/45/EC(REACH): COMPLIANT



DRAWN	W. YANG	DATE	03/28/19
CHECKED	X. B. YANG	DATE	03/28/19
APPROVED	J. QU	DATE	03/28/19
UNLESS OTHERWISE SPECIFIED DIMENSIONS ARE IN MILLIMETERS. DIMENSIONS IN [] ARE IN INCHES FOR CUSTOMER REFERENCE ONLY UNLESS OTHERWISE SPECIFIED TOLERANCE ARE:		THESE DRAWINGS AND SPECIFICATIONS ARE THE PROPERTY OF ANOISON ELECTRONICS LTD AND SHOULD NOT BE USED WITHOUT WRITTEN PERMISSION COPYRIGHT © 2019 ANOISON ELECTRONICS LTD	
.XX	+0.08 [.003"]		
.X	+0.20 [.008"]		
X	+0.50 [.019"]		
.X°	±1°		
X°	±2°		



TITLE
2.92MM FEMALE, 2 HOLE FLANGE MOUNT
EXTENDED DIELECTRIC, POST CONTACT

VIEW	PART NO. ANO 2912-3119		
	SIZE A3	SCALE 5:1	SHEET 1/1
			REV. A

4

3

2

1