

1.0 MATERIAL & FINISH

- 1.1 BODY: STAINLESS STEEL, PASSIVATEDL
- 1.2 CENTER CONTACT: BERYLLIUM COPPER ALLOY, GOLD PLATING
- 1.3 INSULATOR: PEI

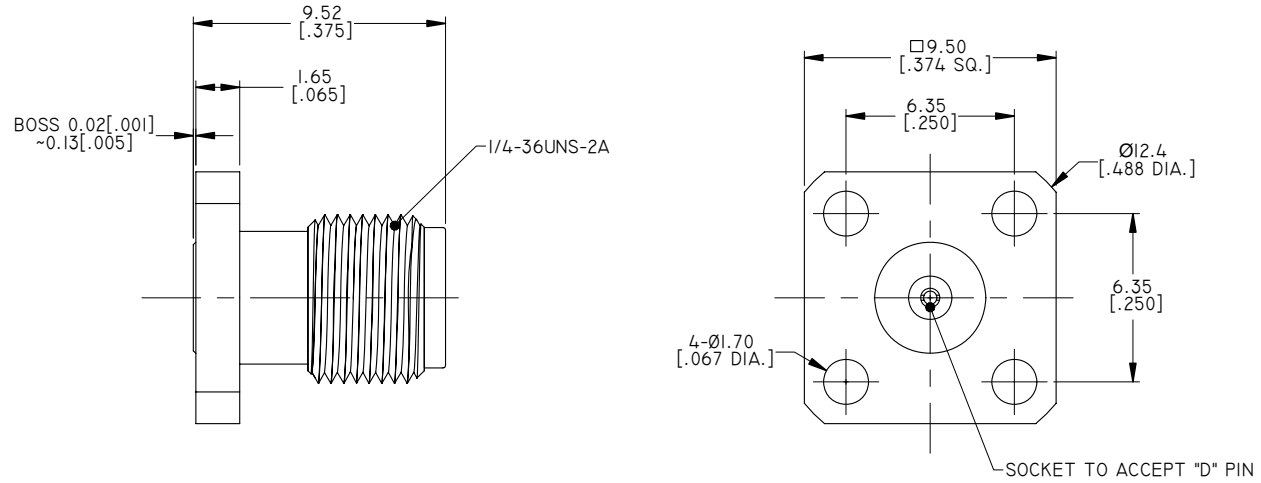
2.0 ENVIRONMENTAL DATA:

- 2.1 TEMPERATURE RANGE: -55°C~+135°C
- 2.2 2011/65/EU (RoHS): COMPLIANT

3.0 ELECTRICAL SPECIFICATIONS:

- 3.1 IMPEDANCE: 50 Ω
- 3.2 FREQUENCY RANGE: DC~40GHZ
- 3.3 VSWR: ≤1.10 @ DC~27GHZ  
≤1.15 @ 27~40GHZ

REVISIONS			
REV.	DESCRIPTION	DATE	APPROVED
B	REMOVE Ø0.38 [.015 DIA.]	06/06/15	J. QU
C	ADDED Ø0.38 [.015 DIA.], CHANGED TEMPERATURE ANGE	06/12/15	J. QU
D	CHANGED TEMPERATURE RANGE	11/16/15	J. QU



PART NO.	D	MAX. PIN DEPTH
ANO 2912-3050-1	Ø0.23 [.009 DIA.]	1.65 [.065]
ANO 2912-3050-2	Ø0.30 [.012 DIA.]	1.65 [.065]
ANO 2912-3050-3	Ø0.38 [.015 DIA.]	1.65 [.065]
ANO 2912-3050-4	Ø0.51 [.020 DIA.]	1.65 [.065]

DRAWN	L. YANG	DATE	11/16/15
CHECKED	X. B. YANG	DATE	11/16/15
APPROVED	J. QU	DATE	11/16/15
UNLESS OTHERWISE SPECIFIED DIMENSIONS ARE IN MILLIMETERS. DIMENSIONS IN [ ] ARE IN INCHES FOR CUSTOMER REFERENCE ONLY UNLESS OTHERWISE SPECIFIED TOLERANCE ARE:		THESE DRAWINGS AND SPECIFICATIONS ARE THE PROPERTY OF ANOISON ELECTRONICS LTD AND SHOULD NOT BE USED WITHOUT WRITTEN PERMISSION COPYRIGHT © 2015 ANOISON ELECTRONICS LTD	
.XX	±0.13 [.005"]		
.X	±0.20 [.008"]		
X	±0.50 [.019"]		
.X°	±1°		
X°	±2°		

**TITLE**  
2.92MM STRAIGHT FEMALE, 4 HOLES FLANGE MOUNT, FIELD REPLACEABLE

**VIEW**

**PART NO.** ANO 2912-3050

<b>SIZE</b>	<b>SCALE</b>	<b>SHEET</b>	<b>REV.</b>
A3	5:1	1/1	D

D  
C  
B  
A

D  
C  
B  
A