

4

3

2

1

MATERIAL & FINISH:

- 1 BODY: STAINLESS STEEL, PASSIVATED
- 2 CENTER CONTACT: BERYLLIUM COPPER ALLOY, GOLD PLATED
- 3 INSULATOR: PTFE
- 4 SOLDER FERRULE: BRASS, GOLD PLATED
- 5 FASTENING NUT: STAINLESS STEEL, PASSIVATED
- 6 LOCK WASHER : BERYLLIUM COPPER ALLOY, NICKEL PLATED
- 7 O-RING: SILICONE RUBBER

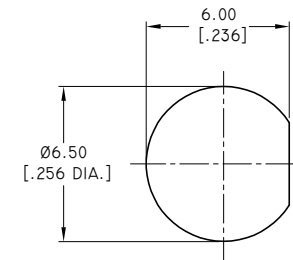
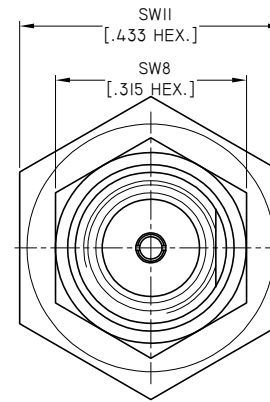
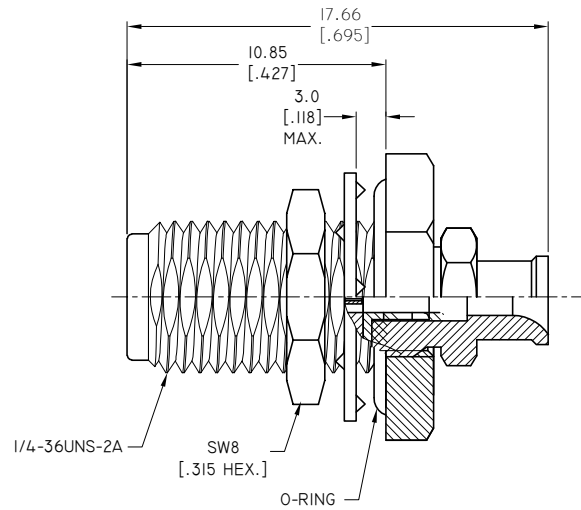
ELECTRICAL SPECIFICATIONS:

- 1 IMPEDANCE: 50 Ω
- 2 FREQUENCY RANGE: DC-40GHZ
- 3 VSWR: 1.25 MAX.

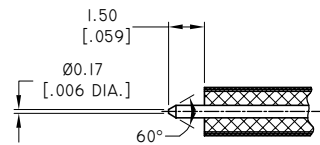
ENVIRONMENTAL DATA:

- 1 TEMPERATURE RANGE: -55°C~+125°C
- 2 2011/65/EU (RoHS): COMPLIANT

REVISIONS			
REV.	DESCRIPTION	DATE	APPROVED
A	INITIAL RELEASE	07/22/19	J. Q
B	VSWR CHANGED	10/17/24	J. Q



RECOMMENDED MOUNTING HOLE



CABLE STRIPPING DIMENSIONS

DRAWN	W. Y	DATE	10/17/24					
CHECKED	X. Y	DATE	10/17/24					
APPROVED	J. Q	DATE	10/17/24					
UNLESS OTHERWISE SPECIFIED DIMENSIONS ARE IN MILLIMETERS, DIMENSIONS IN [] ARE IN INCHES FOR CUSTOMER REFERENCE ONLY UNLESS OTHERWISE SPECIFIED TOLERANCE ARE:		THESE DRAWINGS AND SPECIFICATIONS ARE THE PROPERTY OF ANOISON ELECTRONICS LTD AND SHOULD NOT BE USED WITHOUT WRITTEN PERMISSION COPYRIGHT © 2024 ANOISON ELECTRONICS LTD		TITLE	2.92MM STRAIGHT FEMALE, BULKHEAD WATERPROOF, SOLDER FOR .047 CABLE			
.XX ±0.13 [.005"] .X ±0.20 [.008"] X ±0.50 [.019"] .X° ±1° X° ±2°				VIEW				
				PART NO.	ANO 2912-2124			
SIZE		A3	SCALE	5:1	SHEET	1/1	REV.	B