

MATERIAL & FINISH:

- 1 BODY: STAINLESS STEEL, PASSIVATED
- 2 CENTER CONTACT: BERYLLIUM COPPER ALLOY, GOLD PLATED
- 3 INSULATOR: PTFE & PEI
- 4 COUPLING NUT: STAINLESS STEEL, PASSIVATED
- 5 BEAD: BRASS, GOLD PLATED

ELECTRICAL DATA:

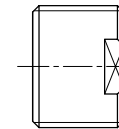
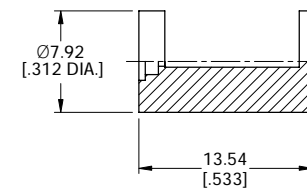
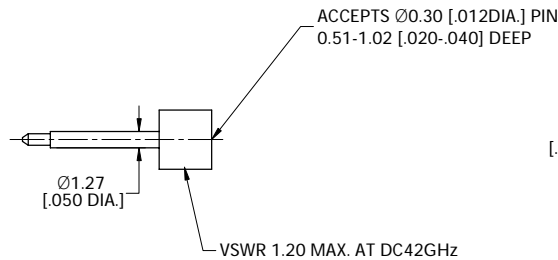
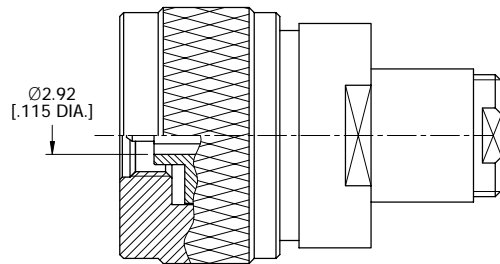
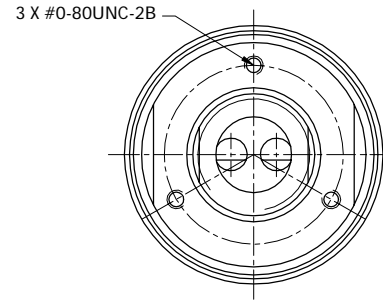
- 1 IMPEDANCE: 50 Ω
- 2 FREQUENCY RANGE: DC-42 GHz
- 3 DWV: 1000 VRMS
- 4 INSULATION RESISTANCE: 5000 MΩ

ENVIRONMENTAL DATA:

- 1 TEMPERATURE RANGE: -55°C ~+125°C
- 2 2011/65/EU(RoHS) AND 2015/863/(RoHS): COMPLIANT
- 3 1907/2006/EC(REACH): COMPLIANT

REVISIONS

REV.	DESCRIPTION	DATE	APPROVED
A	INITIAL RELEASE	08/22/23	J. Q.



DRAWN	X. Y	DATE	08/22/23
CHECKED	W. Y	DATE	08/22/23
APPROVED	J. Q	DATE	08/22/23

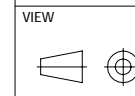
UNLESS OTHERWISE SPECIFIED DIMENSIONS ARE IN MILLIMETERS, DIMENSIONS IN [] ARE IN INCHES FOR CUSTOMER REFERENCE ONLY UNLESS OTHERWISE SPECIFIED TOLERANCE ARE:

XX	±0.13 [.005"]
X	±0.20 [.008"]
X	±0.50 [.019"]
X°	±1°
X"	±2°

THESE DRAWINGS AND SPECIFICATIONS ARE THE PROPERTY OF ANOISON ELECTRONICS LTD AND SHOULD NOT BE USED WITHOUT WRITTEN PERMISSION COPYRIGHT © 2023 ANOISON ELECTRONICS LTD



TITLE
2.92MM STRAIGHT MALE, FIELD REPLACEABLE



PART NO. ANO 2911-3187			
SIZE A3	SCALE 2.5:1	SHEET 1/1	REV. A