

4 3 2 1

REVISIONS			
REV.	DESCRIPTION	DATE	APPROVED
A	INITIAL RELEASE	07/06/23	J Q

MATERIAL & FINISH:

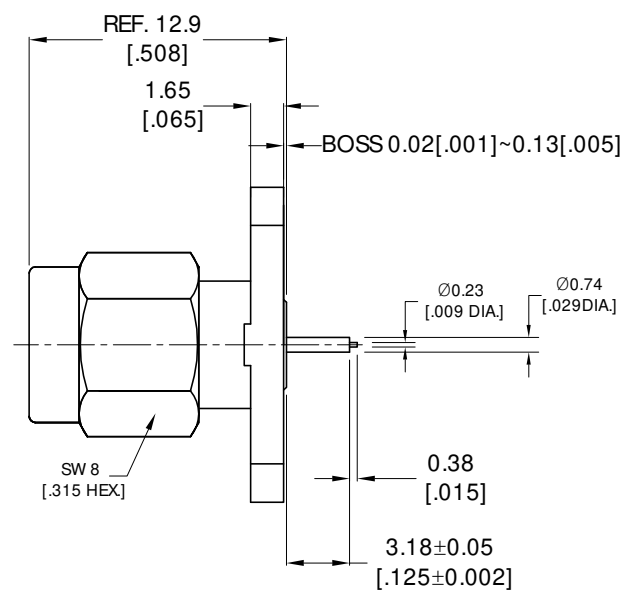
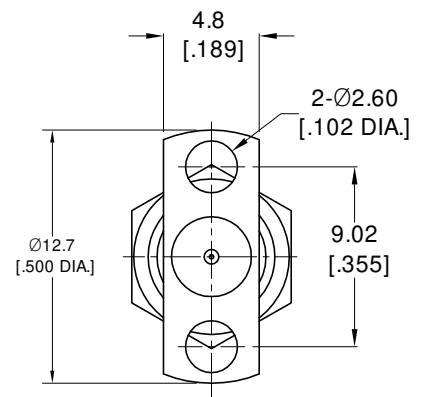
- 1 BODY: STAINLESS STEEL, PASSIVATED
- 2 CENTER CONTACT: BERYLLIUM COPPER ALLOY, GOLD PLATED
- 3 COUPLING NUT: STAINLESS STEEL, PASSIVATED
- 4 INSULATOR: PEI & PTFE
- 5 RETAINING RING: BERYLLIUM COPPER ALLOY, NICKEL PLATED

ELECTRICAL DATA:

- 1 IMPEDANCE: 50 Ω
- 2 FREQUENCY RANGE: DC~43.5 GHz
- 3 VSWR: 1.10 MAX. AT DC~27 GHz
1.20 MAX. AT 27~43.5 GHz

ENVIRONMENTAL DATA:

- 1 TEMPERATURE RANGE: -55 °C ~ +125 °C
- 2 2011/65/EU (RoHS) AND 2015/863/(RoHS): COMPLIANT
- 3 1999/2006/EC (REACH): COMPLIANT



DRAWN	P. C	DATE	07/06/23
CHECKED	W. Y	DATE	07/06/23
APPROVED	J Q	DATE	07/06/23
UNLESS OTHERWISE SPECIFIED DIMENSIONS ARE IN MILLIMETERS, DIMENSIONS IN [] ARE IN INCHES FOR CUSTOMER REFERENCE ONLY UNLESS OTHERWISE SPECIFIED TOLERANCE ARE:		THESE DRAWINGS AND SPECIFICATIONS ARE THE PROPERTY OF ANOISON ELECTRONICS LTD AND SHOULD NOT BE USED WITHOUT WRITTEN PERMISSION COPYRIGHT © 2023 ANOISON ELECTRONICS LTD	
.XX	±0.13 [0.005"]		
.X	±0.20 [0.008"]		
X	±0.50 [0.019"]		
.X°	±1°		
X°	±2°		

ANOISON

TITLE
2.92MM STRAIGHT MALE, 2 HOLE FLANGE MOUNT, EXTENDED DIELECTRIC, POST CONTACT

VIEW

PART NO.
ANO 2911-3183

SIZE A3	SCALE 4:1	SHEET 1/1	REV. A
------------	--------------	--------------	-----------

4 3 2 1