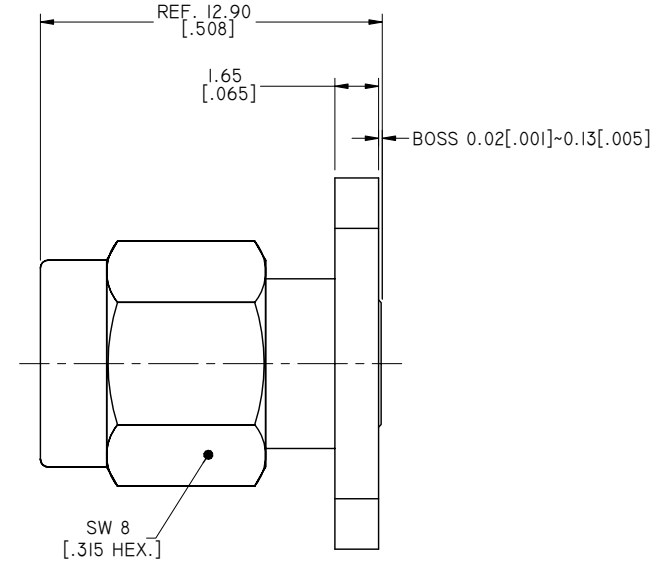
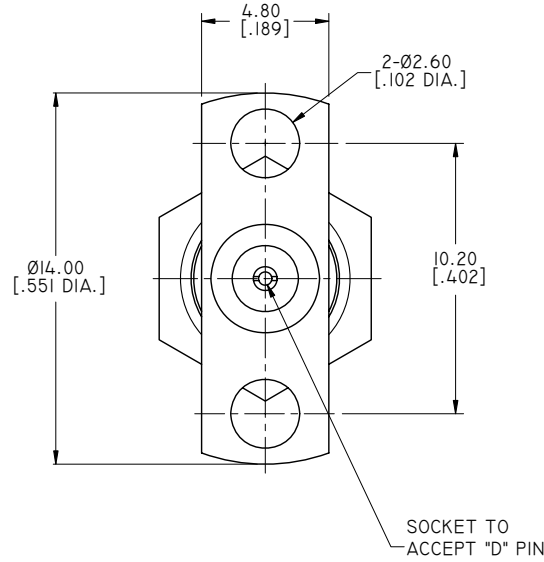


1.0 MATERIAL & FINISH:  
 1.1 BODY: STAINLESS STEEL, PASSIVATED  
 1.2 CENTER CONTACT: BERYLLIUM COPPER ALLOY, GOLD PLATED  
 1.3 COUPLING NUT: STAINLESS STEEL, PASSIVATED  
 1.4 INSULATOR: PEI  
 1.5 RETAINING RING: BERYLLIUM COPPER ALLOY, NICKEL PLATED

2.0 ENVIRONMENTAL DATA:  
 2.1 TEMPERATURE RANGE: -55°C~+135°C  
 2.2 2011/65/EU (RoHS): COMPLIANT

3.0 ELECTRICAL SPECIFICATIONS:  
 3.1 IMPEDANCE: 50 Ω  
 3.2 FREQUENCY RANGE: DC~40GHZ  
 3.3 VSWR: 1.10 MAX. @ DC~27GHZ  
 1.15 MAX. @ 27~40GHZ

REVISIONS			
REV.	DESCRIPTION	DATE	APPROVED
A	INITIAL RELEASE	01/24/14	J. QU
B	DRAWING FORMAT CHANGED	08/16/17	J. QU



PART NO.	D	MAX. PIN DEPTH
ANO 2911-3053-1	Ø0.23 [.009 DIA.]	1.65 [.065]
ANO 2911-3053-2	Ø0.30 [.012 DIA.]	1.52 [.060]
ANO 2911-3053-3	Ø0.51 [.020 DIA.]	1.65 [.065]

DRAWN	P. CHEN	DATE	08/16/17
CHECKED	X. B. YANG	DATE	08/16/17
APPROVED	J. QU	DATE	08/16/17
UNLESS OTHERWISE SPECIFIED DIMENSIONS ARE IN MILLINMETERS, DIMENSIONS IN [ ] ARE IN INCHES FOR CUSTOMER REFERENCE ONLY UNLESS OTHERWISE SPECIFIED TOLERANCE ARE:		THESE DRAWINGS AND SPECIFICATIONS ARE THE PROPERTY OF ANOISON ELECTRONICS LTD AND SHOULD NOT BE USED WITHOUT WRITTEN PERMISSION COPYRIGHT © 2017 ANOISON ELECTRONICS LTD	
.XX	±0.13 [.005"]		
.X	±0.20 [.008"]		
X	±0.50 [.019"]		
.X°	±1°		
X°	±2°		



TITLE			
2.92MM STRAIGHT MALE, 2 HOLES FLANGE FIELD REPLACEABLE			
VIEW		PART NO.	
		ANO 2911-3053	
SIZE	SCALE	SHEET	REV.
A3	5:1	1/1	B