

4

3

2

1

1.0 MATERIAL & FINISH:

- 1.1 BODY: BRASS, GOLD PLATED
- 1.2 CENTER CONTACT: BERYLLIUM COPPER ALLOY, GOLD PLATED
- 1.3 COUPLING NUT: STAINLESS STEEL, PASSIVATED
- 1.4 INSULATOR: PEI

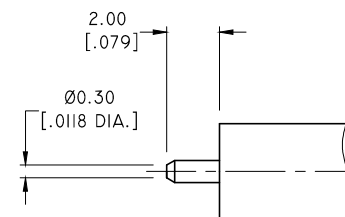
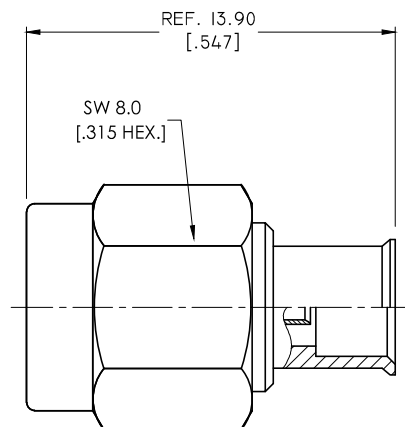
3.0 ENVIRONMENTAL DATA:

- 3.1 TEMPERATURE RANGE: -55°C~+125°C
- 3.2 2011/65/EU(RoHS) AND 2015/863/(RoHS): COMPLIANT
- 3.3 1999/45/EC(REACH): COMPLIANT

2.0 ELECTRICAL DATA:

- 2.1 IMPEDANCE: 50 Ω
- 2.2 FREQUENCY RANGE: DC~40GHZ
- 2.3 VSWR: 1.30 MAX.

REVISIONS			
REV.	DESCRIPTION	DATE	APPROVED
A	INITIAL RELEASE	05/28/19	J. QU



CABLE STRIPPING DIMENSIONS

DRAWN	W. YANG	DATE	05/28/19
CHECKED	X. B. YANG	DATE	05/28/19
APPROVED	J. QU	DATE	05/28/19
UNLESS OTHERWISE SPECIFIED DIMENSIONS ARE IN MILLIMETERS. DIMENSIONS IN [] ARE IN INCHES FOR CUSTOMER REFERENCE ONLY UNLESS OTHERWISE SPECIFIED TOLERANCE ARE:		THESE DRAWINGS AND SPECIFICATIONS ARE THE PROPERTY OF ANOISON ELECTRONICS LTD AND SHOULD NOT BE USED WITHOUT WRITTEN PERMISSION COPYRIGHT © 2019 ANOISON ELECTRONICS LTD	
.XX	±0.13 [.005"		
.X	±0.20 [.008"		
X	±0.50 [.019"		
.X°	±1°		
X°	±2°		



TITLE			
2.92MM STRAIGHT MALE SOLDER FOR SRI41/RG402 CABLE, CAPTIVATED CONTACT			
VIEW		PART NO.	
		ANO 2911-2108	
SIZE	SCALE	SHEET	REV.
A3	5:1	1/1	A

4

3

2

1