

4

3

2

1

REVISIONS			
REV.	DESCRIPTION	DATE	APPROVED
A	INITIAL RELEASE	03/27/18	J. QU

MATERIAL & FINISH:

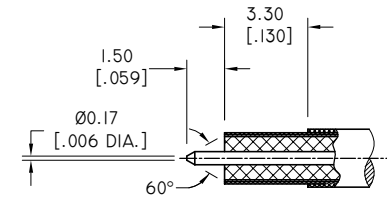
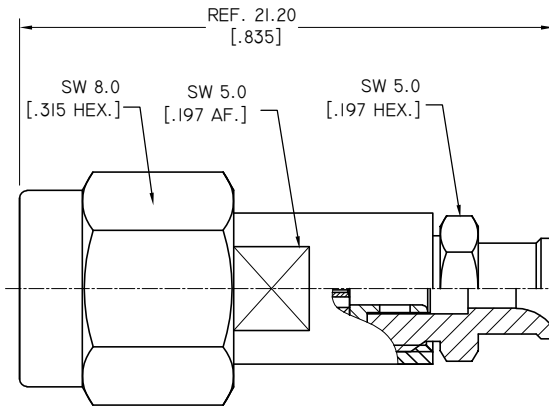
- 1 BODY: STAINLESS STEEL, PASSIVATED
- 2 CENTER CONTACT: BERYLLIUM COPPER ALLOY, GOLD PLATED
- 3 RETAINING RING: BERYLLIUM COPPER ALLOY, NICKEL PLATED
- 4 COUPLING NUT: STAINLESS STEEL, PASSIVATED
- 5 SOLDER FERRULE: BRASS, GOLD PLATED
- 6 INSULATOR: PEI

ELECTRICAL DATA:

- 1 IMPEDANCE: 50 Ω
- 2 FREQUENCY RANGE: DC~40 GHZ
- 3 VSWR: 1.20 MAX.

ENVIRONMENTAL DATA:

- 1 TEMPERATURE RANGE: -55°C~+165°C
- 2 2011/65/EU (RoHS): COMPLIANT



CABLE STRIPPING DIMENSIONS

DRAWN	W. YANG	DATE	03/27/18
CHECKED	X. B. YANG	DATE	03/27/18
APPROVED	J. QU	DATE	03/27/18

UNLESS OTHERWISE SPECIFIED DIMENSIONS ARE IN MILLIMETERS, DIMENSIONS IN [] ARE IN INCHES FOR CUSTOMER REFERENCE ONLY UNLESS OTHERWISE SPECIFIED TOLERANCE ARE:

.XX	+0.13 [.005"]
.X	+0.20 [.008"]
X	+0.50 [.019"]
.X°	±1°
X°	±2°

THESE DRAWINGS AND SPECIFICATIONS ARE THE PROPERTY OF ANOISON ELECTRONICS LTD AND SHOULD NOT BE USED WITHOUT WRITTEN PERMISSION COPYRIGHT © 2018 ANOISON ELECTRONICS LTD



TITLE
2.92MM STRAIGHT MALE SOLDER FOR 047SC-2901 CABLE

VIEW	PART NO. ANO 2911-2095		
	SIZE A3	SCALE 5:1	SHEET 1/1
			REV. A

4

3

2

1