

MATERIAL & FINISH:

- 1. BODY: BRASS, GOLD PLATED
- 2. CENTER CONTACT: BERYLLIUM COPPER ALLOY, GOLD PLATED
- 3. SOLDER FERRULE: BRASS, GOLD PLATED
- 4. COUPLING NUT: STAINLESS STEEL, PASSIVATED
- 5. INSULATOR: PEI
- 6. GASKET: MVQ(SILICONE RUBBER)

ELECTRICAL DATA:

- 1. IMPEDANCE: 50 Ω
- 2. FREQUENCY RANGE: DC~40GHZ

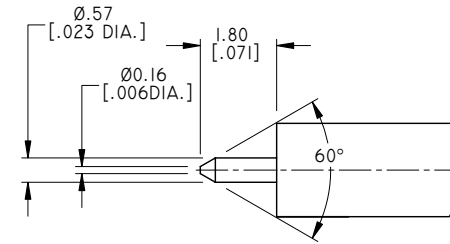
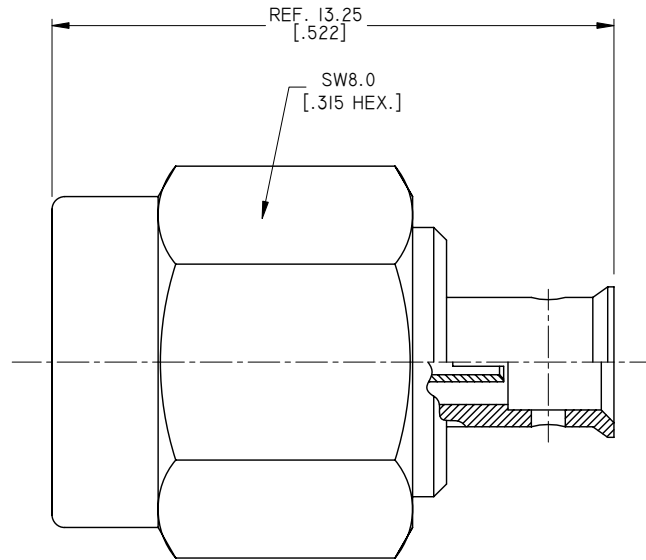
ENVIRONMENTAL DATA:

- 1. TEMPERATURE RANGE: -55°C~+125°C
- 2. 2011/65/EU (RoHS): COMPLIANT

MECHANICAL DATA:

- 1. CENTER CONTACT: CAPTIVATED
- 2. OUTER CONTACT: SOLDERED

REVISIONS			
REV.	DESCRIPTION	DATE	APPROVED
C	PART NO. ANO 2911-2040 REMOVED	05/05/15	J. QU
D	DRAWING FORMAT CHANGED	08/16/17	J. QU



CABLE STRIPPING DIMENSIONS

DRAWN	P. CHEN	DATE	08/16/17		
CHECKED	X. B. YANG	DATE	08/16/17		
APPROVED	J. QU	DATE	08/16/17		
UNLESS OTHERWISE SPECIFIED DIMENSIONS ARE IN MILLIMETERS, DIMENSIONS IN [] ARE IN INCHES FOR CUSTOMER REFERENCE ONLY UNLESS OTHERWISE SPECIFIED TOLERANCE ARE:		THESE DRAWINGS AND SPECIFICATIONS ARE THE PROPERTY OF ANOISON ELECTRONICS LTD AND SHOULD NOT BE USED WITHOUT WRITTEN PERMISSION COPYRIGHT © 2017 ANOISON ELECTRONICS LTD		TITLE	2.92MM STRAIGHT MALE SOLDER FOR UT-085C-LL CABLE CAPTIVATED CONTACT
.XX ±0.13 [.005"] .X ±0.20 [.008"] X ±0.50 [.019"] .X° ±1° X° ±2°				VIEW	
				PART NO.	ANO 2911-2040
				SIZE	A3
				SCALE	8:1
				SHEET	1/1
				REV.	D