

4

3

2

1

MATERIAL & FINISH

- 1 BODY: STAINLESS STEEL, PASSIVATED
- 2 CENTER CONTACT: BERYLLIUM COPPER ALLOY, GOLD PLATED
- 3 OUTER CONTACT: BERYLLIUM COPPER ALLOY, GOLD PLATED
- 4 INSULATOR: PEI
- 5 COUPLING NUT: STAINLESS STEEL, PASSIVATED

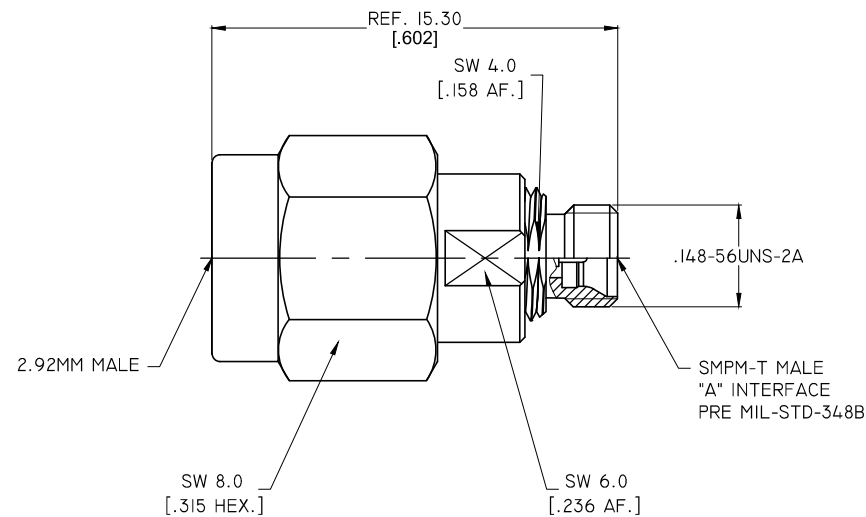
ELECTRICAL DATA:

- 1 IMPEDANCE: 50 OHMS
- 2 FREQUENCY RANGE: DC~40 GHZ
- 3 VSWR: ≤1.35

ENVIRONMENTAL DATA:

- 1 TEMPERATURE RANGE: -55°C~+125°C
- 2 2011/65/EU(RoHS) AND 2015/863/(RoHS): COMPLIANT
- 3 1999/45/EC(REACH): COMPLIANT

| REVISIONS | | | |
|-----------|-----------------|----------|----------|
| REV. | DESCRIPTION | DATE | APPROVED |
| A | INITIAL RELEASE | 02/15/19 | J. QU |



| PART NO. | "A" INTERFACE |
|--------------------|---------------|
| ANO 291-941-1484-1 | FULL DETENT |
| ANO 291-941-1484-2 | SMOOTH BORE |

| | | | |
|---|---------------|--|----------|
| DRAWN | W. YANG | DATE | 02/15/19 |
| CHECKED | X. B. YANG | DATE | 02/15/19 |
| APPROVED | J. QU | DATE | 02/15/19 |
| UNLESS OTHERWISE SPECIFIED DIMENSIONS ARE IN MILLIMETERS. DIMENSIONS IN [] ARE IN INCHES FOR CUSTOMER REFERENCE ONLY UNLESS OTHERWISE SPECIFIED TOLERANCE ARE: | | THESE DRAWINGS AND SPECIFICATIONS ARE THE PROPERTY OF ANOISON ELECTRONICS LTD AND SHOULD NOT BE USED WITHOUT WRITTEN PERMISSION COPYRIGHT © 2019 ANOISON ELECTRONICS LTD | |
| .XX | ±0.13 [.005"] | | |
| .X | ±0.20 [.008"] | | |
| X | ±0.50 [.019"] | | |
| .X° | ±1° | | |
| X° | ±2° | | |



| | | | |
|--|------------------------------|--------------|--------------|
| TITLE ADAPTER, 2.92MM MALE TO SMPM-T MALE | | | |
| VIEW | PART NO. ANO 291-941-1484 | | |
| | SIZE A3 | SCALE 5:1 | SHEET 1/1 |
| | | | REV. A |

4

3

2

1