

4

3

2

1

MATERIAL & FINISH:

- 1 BODY: STAINLESS STEEL, PASSIVATED
- 2 CENTER CONTACT: BERYLLIUM COPPER ALLOY, GOLD PLATED
- 3 INSULATOR: PEI
- 4 RADIATOR: ALUMINIUM, BLACK

ENVIRONMENTAL DATA:

- 1 TEMPERATURE RANGE: -55°C~+125°C
- 2 2011/65/EU (RoHS) AND 2015/863/(RoHS): COMPLIANT
- 3 REACH SVHC247: COMPLIANT

ELECTRICAL DATA:

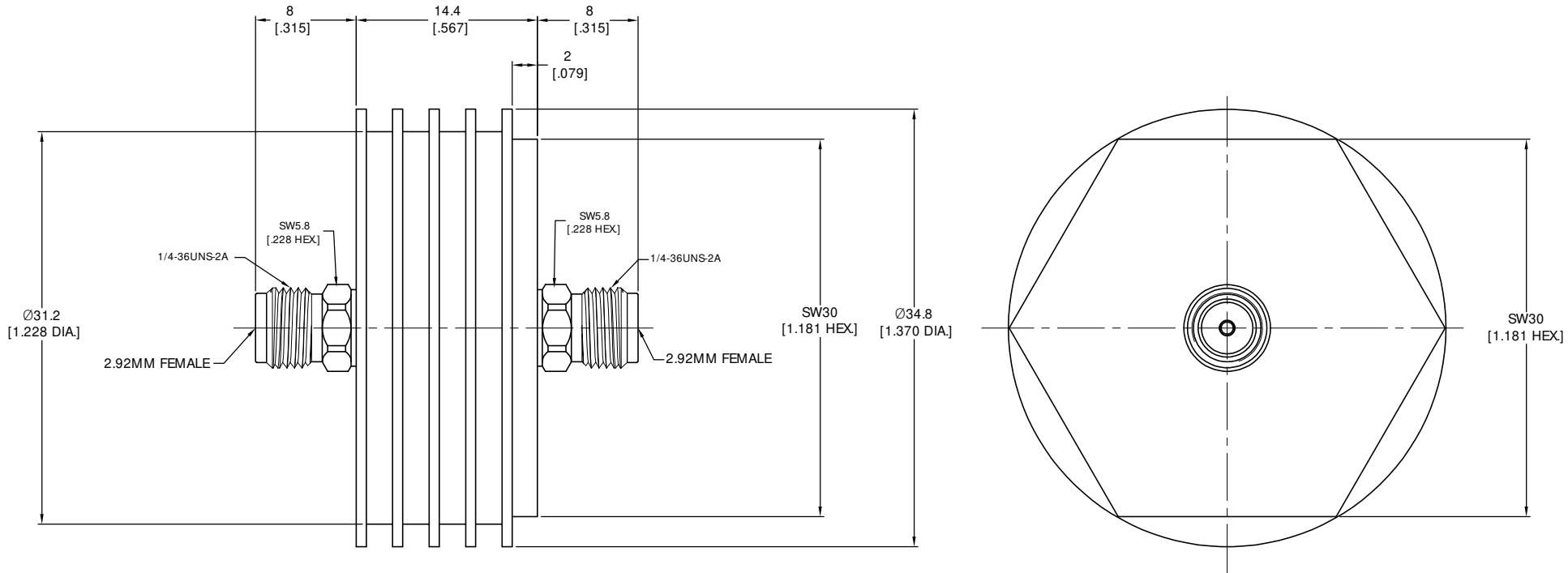
- 1 IMPEDANCE: 50 Ω
- 2 FREQUENCY RANGE: DC~40 GHz
- 3 VSWR: 1.26 MAX.
- 4 AVERAGE POWER: INPUT 10 WATTS OR OUTPUT 10 WATTS AVERAGE TO 25°C AMBIENT TEMPERATURE, DERATED LINEARLY TO 1W @ 100°C
- 5 PEAK POWER: MAXIMUM POWER 200 W (5μS PULSE WIDTH WITH THE MAXIMUM 3% DUTY CYCLE)
- 6 ATTENUATOR ACCURACY: SEE TABLE

MECHANICAL DATA:

- 1 NET WEIGHT: 36g

REVISIONS

REV.	DESCRIPTION	DATE	APPROVED
A	INITIAL RELEASE	08/29/25	J Q



TABLE

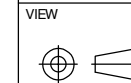
PART NO.	ATTENUATION VALUES & ACCURACY		
	1~8 dB	9~25 dB	26~40 dB
ANO 29-1004-XX	+1.0 -0.7 dB	±0.8 dB	+1.0 -0.9 dB

NOTE: XX REFER TO ATTENUATION VALUE IN dB

DRAWN	X. Y	DATE	08/29/25
CHECKED	W. Y	DATE	08/29/25
APPROVED	J Q	DATE	08/29/25
UNLESS OTHERWISE SPECIFIED DIMENSIONS ARE IN MILLIMETERS, DIMENSIONS IN [] ARE IN INCHES FOR CUSTOMER REFERENCE ONLY UNLESS OTHERWISE SPECIFIED TOLERANCE ARE:		THESE DRAWINGS AND SPECIFICATIONS ARE THE PROPERTY OF ANOISON ELECTRONICS LTD AND SHOULD NOT BE USED WITHOUT WRITTEN PERMISSION COPYRIGHT © 2025 ANOISON ELECTRONICS LTD	
.XX	±0.13 [0.005"]		
.X	±0.20 [0.008"]		
X	±0.50 [0.019"]		
.X°	±1°		
X°	±2°		



TITLE
ATTENUATOR, 2.92MM FEMALE TO 2.92MM FEMALE
10 WATTS, DC-40 GHz, BI-DIRECTIONAL



PART NO. ANO 29-1004-XX			
SIZE A3	SCALE 4:1	SHEET 1/1	REV. A

4

3

2

1