

4

3

2

1

## MATERIAL &amp; FINISH:

- 1 BODY: STAINLESS STEEL, PASSIVATED
- 2 CENTER CONTACT: BERYLLIUM COPPER ALLOY, GOLD PLATED
- 3 INSULATOR: PEI
- 4 COUPLING NUT: STAINLESS STEEL, PASSIVATED
- 5 RADIATOR: ALUMINIUM, BLACK

## ENVIRONMENTAL DATA:

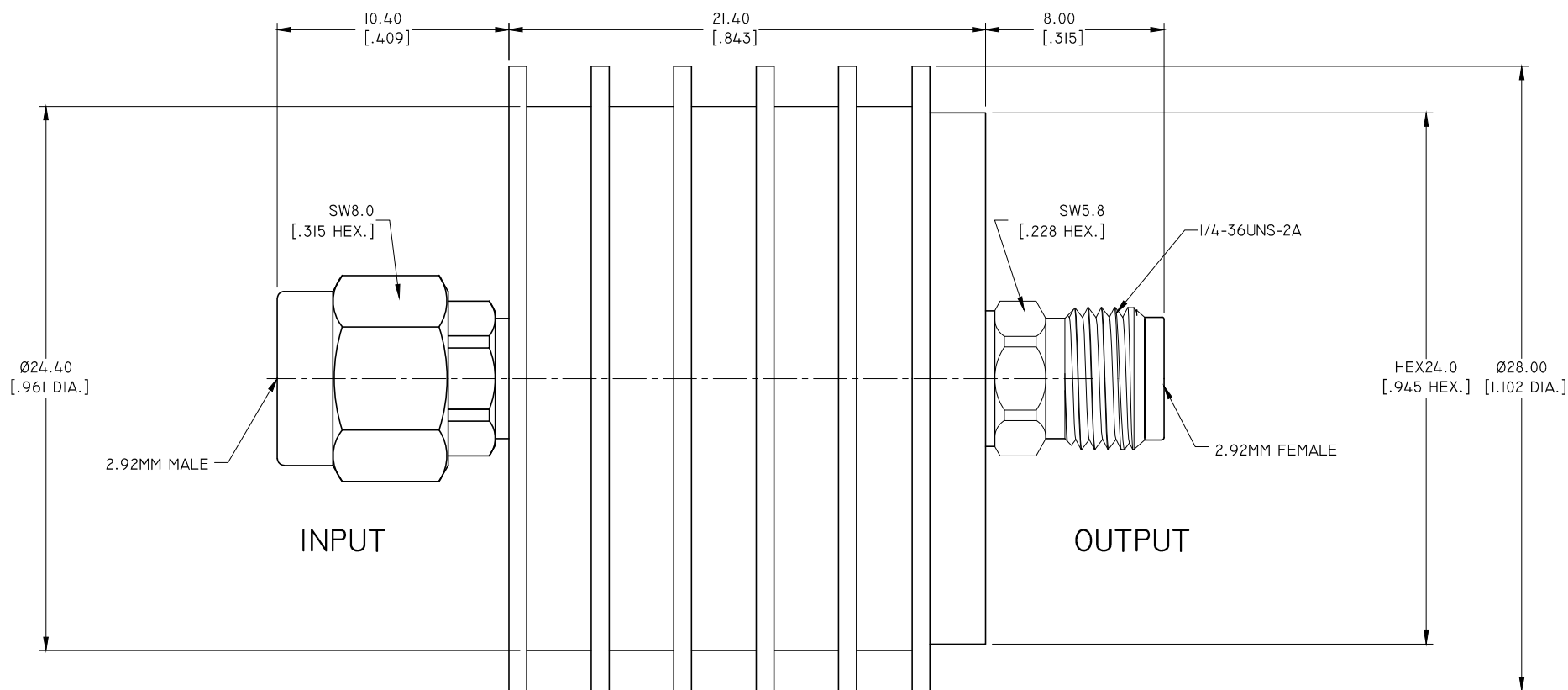
- 1 TEMPERATURE RANGE: -55°C~+100°C
- 2 2011/65/EU(RoHS) AND 2015/863/(RoHS): COMPLIANT
- 3 1907/2006/EC(REACH) AND 1999/45/EC(REACH): COMPLIANT

## ELECTRICAL DATA:

- 1 IMPEDANCE: 50 Ω
- 2 FREQUENCY RANGE: DC~40 GHZ
- 3 VSWR: 1.26 MAX.
- 4 AVERAGE POWER: MAXIMUM POWER 10 WATTS AVERAGE TO 25°C AMBIENT TEMPERATURE, DERATED LINEARLY TO 2W @ 100°C
- 5 PEAK POWER: MAXIMUM POWER 500 W (5μS PULSE WIDTH WITH THE MAXIMUM 2% DUTY CYCLE)
- 6 ATTENUATOR ACCURACY: SEE TABLE

## REVISIONS

REV.	DESCRIPTION	DATE	APPROVED
A	INITIAL RELEASE	09/20/19	J. QU



PART NO.	ATTENUATION VALUES & ACCURACY			
	20, 25, 30 DB	35, 40 DB	45, 50 DB	55, 60 DB
ANO 29-1003-XX	±1.0 DB	±1.0 DB	+1.2 -1.0 DB	+1.5 -1.0 DB
NOTE: XX REFER TO ATTENUATION VALUE IN DB				

DRAWN	W. YANG	DATE	09/20/19
CHECKED	L. YANG	DATE	09/20/19
APPROVED	J. QU	DATE	09/20/19
UNLESS OTHERWISE SPECIFIED DIMENSIONS ARE IN MILLIMETERS. DIMENSIONS IN [ ] ARE IN INCHES FOR CUSTOMER REFERENCE ONLY UNLESS OTHERWISE SPECIFIED TOLERANCE ARE:		THESE DRAWINGS AND SPECIFICATIONS ARE THE PROPERTY OF ANOISON ELECTRONICS LTD AND SHOULD NOT BE USED WITHOUT WRITTEN PERMISSION COPYRIGHT © 2019 ANOISON ELECTRONICS LTD	
.XX	+0.13 [.005"]		
.X	+0.25 [.010"]		
X	+0.50 [.019"]		
.X°	±1°		
X°	±2°		



TITLE  
ATTENUATOR 2.92MM MALE TO 2.92MM FEMALE  
10 WATT, DC~40GHZ

VIEW	PART NO.			
	ANO 29-1003-XX			
SIZE	A3	SCALE	5:1	SHEET 1/1
REV.	A			

4

3

2

1