

REVISIONS			
REV.	DESCRIPTION	DATE	APPROVED
A	INITIAL RELEASE	07/07/21	J. QU

MATERIAL & FINISH:

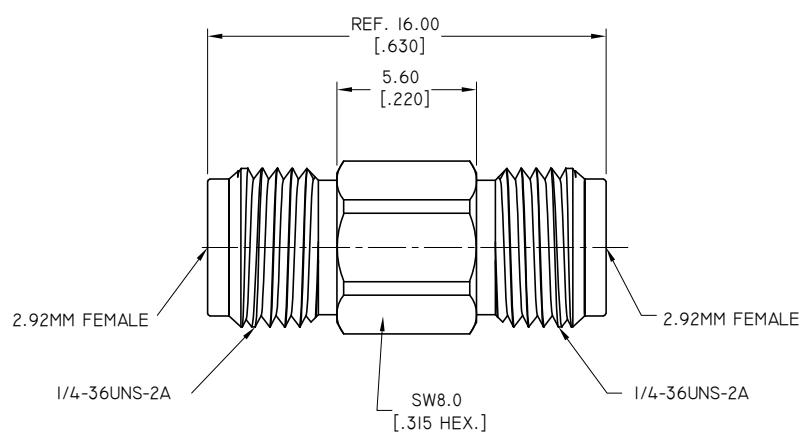
- 1 BODY: STAINLESS STEEL, PASSIVATED
- 2 CENTER CONTACT: BERYLLIUM COPPER ALLOY, GOLD PLATED
- 3 INSULATOR: PEI

ENVIRONMENTAL DATA:

- 1 TEMPERATURE RANGE: -55°C~+100°C
- 2 2011/65/EU(RoHS) AND 2015/863/(RoHS): COMPLIANT
- 3 1907/2006/EC(REACH) AND 1999/45/EC(REACH): COMPLIANT

ELECTRICAL DATA:

- 1 IMPEDANCE: 50 Ω
- 2 FREQUENCY RANGE: DC~40 GHZ
- 3 VSWR: 1.30 MAX.
- 4 AVERAGE POWER: MAXIMUM POWER 2 WATTS @ 25°C AMBIENT TEMPERATURE, DERATED LINEARLY TO 0.5W @100°C
- 5 PEAK POWER: MAXIMUM POWER 100 W (5μS PW 1% DUTY CYCLE)
- 6 ATTENUATION VALUES & ACCURACY : SEE TABLE



PART NO.	ATTENUATION VALUES & ACCURACY			
	31 DB ~ 33 DB	34 DB ~ 36 DB	37 DB ~ 39 DB	40 DB
ANO 29-0208-XX	±0.8 DB	±0.9 DB	±1.0 DB	±1.2 DB

NOTE: XX REFER TO ATTENUATION VALUE IN DB

DRAWN	W. YANG	DATE	07/07/21
CHECKED	L. YANG	DATE	07/07/21
APPROVED	J. QU	DATE	07/07/21
UNLESS OTHERWISE SPECIFIED DIMENSIONS ARE IN MILLIMETERS, DIMENSIONS IN [] ARE IN INCHES FOR CUSTOMER REFERENCE ONLY UNLESS OTHERWISE SPECIFIED TOLERANCE ARE:		THESE DRAWINGS AND SPECIFICATIONS ARE THE PROPERTY OF ANOISON ELECTRONICS LTD AND SHOULD NOT BE USED WITHOUT WRITTEN PERMISSION COPYRIGHT © 2021 ANOISON ELECTRONICS LTD	
.XX	±0.13 [.005"]		
.X	±0.25 [.010"]		
X	±0.50 [.019"]		
.X°	±1°		
X°	±2°		

TITLE
ATTENUATOR 2.92MM FEMALE TO 2.92MM FEMALE
2 WATT BI DIRECTIONAL, DC~40GHZ

VIEW

PART NO. ANO 29-0208-XX			
SIZE A3	SCALE 5:1	SHEET 1/1	REV. A

4

3

2

1

D

C

B

A

D

C

B

A