

4

3

2

1

MATERIAL & FINISH:

- 1 BODY: STAINLESS STEEL, PASSIVATED
- 2 CENTER CONTACT: BERYLLIUM COPPER ALLOY, GOLD PLATED
- 3 INSULATOR: PEI

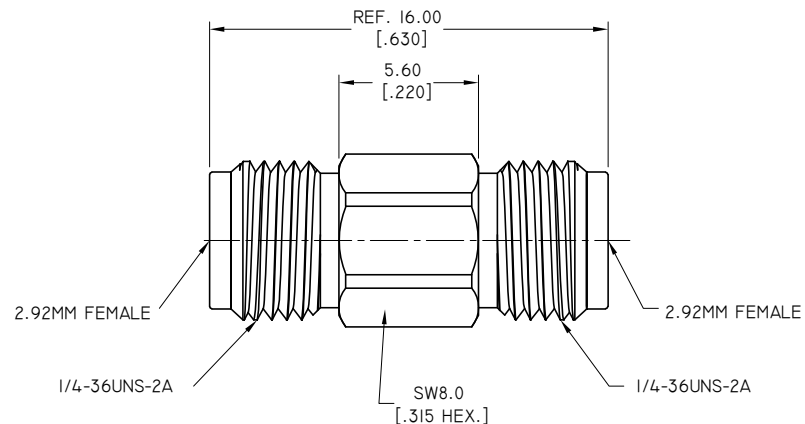
ENVIRONMENTAL DATA:

- 1 TEMPERATURE RANGE: -55°C~+100°C
- 2 2011/65/EU(RoHS) AND 2015/863/(RoHS): COMPLIANT
- 3 1907/2006/EC(REACH) AND 1999/45/EC(REACH): COMPLIANT

ELECTRICAL DATA:

- 1 IMPEDANCE: 50 Ω
- 2 FREQUENCY RANGE: DC~40 GHZ
- 3 VSWR: 1.22 MAX.
- 4 AVERAGE POWER: MAXIMUM POWER 2 WATTS @ 25°C AMBIENT TEMPERATURE, DERATED LINEARLY TO 0.5W @100°C
- 5 PEAK POWER: MAXIMUM POWER 100 W (5μS PW 1% DUTY CYCLE)
- 6 ATTENUATION VALUES & ACCURACY : SEE TABLE

REVISIONS			
REV.	DESCRIPTION	DATE	APPROVED
A	INITIAL RELEASE	09/20/19	J. QU



PART NO.	ATTENUATION VALUES & ACCURACY			
	1 DB ~ 3 DB	4 DB~ 8 DB	9 DB ~ 15 DB	16 DB~ 30 DB
ANO 29-0206-XX	+0.8 -0.5 DB	+0.9 -0.7 DB	±0.7 DB	+1.0 -0.9 DB
NOTE: XX REFER TO ATTENUATION VALUE IN DB				

DRAWN	W. YANG	DATE	09/20/19		
CHECKED	L. YANG	DATE	09/20/19		
APPROVED	J. QU	DATE	09/20/19		
UNLESS OTHERWISE SPECIFIED DIMENSIONS ARE IN MILLIMETERS, DIMENSIONS IN [] ARE IN INCHES FOR CUSTOMER REFERENCE ONLY UNLESS OTHERWISE SPECIFIED TOLERANCE ARE:		THESE DRAWINGS AND SPECIFICATIONS ARE THE PROPERTY OF ANOISON ELECTRONICS LTD AND SHOULD NOT BE USED WITHOUT WRITTEN PERMISSION COPYRIGHT © 2019 ANOISON ELECTRONICS LTD			
		TITLE			
		ATTENUATOR 2.92MM FEMALE TO 2.92MM FEMALE 2 WATT BI DIRECTIONAL, DC~40GHZ			
VIEW		PART NO.			
		ANO 29-0206-XX			
SIZE	A3	SCALE	5:1	SHEET	1/1
REV.	A				

4

3

2

1