

MATERIAL & FINISH:

- 1 BODY: BRASS, NICKEL PLATED
- 2 CENTER CONTACT: PHOSPHOR BRONZE, ALBALOY PLATED
- 3 CRIMP FERRULE: COPPER, NICKEL PLATED
- 4 INSULATOR: PTFE

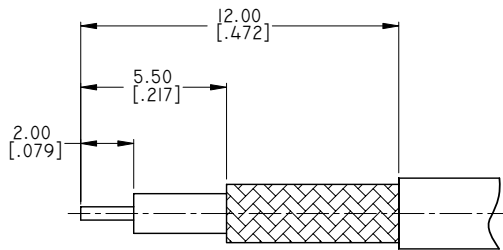
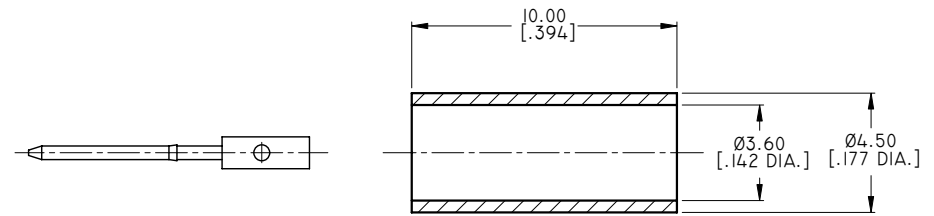
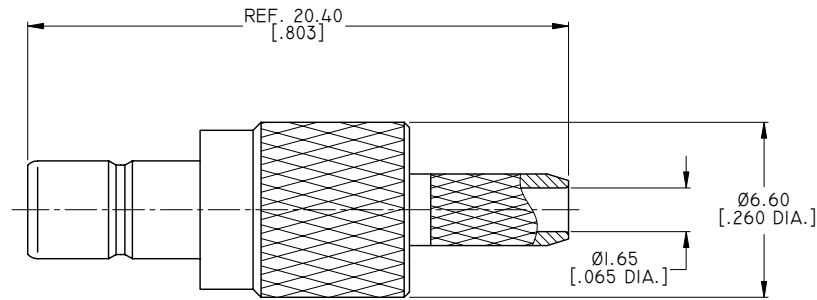
ELECTRICAL DATA:

- 1 IMPEDANCE: 75 Ω
- 2 FREQUENCY RANGE: DC~1000 MHZ

ENVIRONMENTAL DATA:

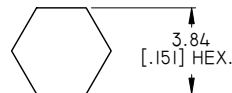
- 1 TEMPERATURE RANGE: -55°C~+125°C
- 2 2011/65/EU(RoHS) AND 2015/863/(RoHS): COMPLIANT
- 3 1907/2006/EC(REACH) AND 1999/45/EC(REACH): COMPLIANT

REVISIONS			
REV.	DESCRIPTION	DATE	APPROVED
A	INITIAL RELEASE	11/05/11	J. QU
B	OUTLINE DRAWING CHANGED	09/02/19	J. QU



CABLE STRIPPING DIMENSIONS

HEX. CRIMP TOOL



CRIMP WIDTH: 7.5 [.295]

DRAWN	X. B. YANG	DATE	09/02/19
CHECKED	W. YANG	DATE	09/02/19
APPROVED	J. QU	DATE	09/02/19
UNLESS OTHERWISE SPECIFIED DIMENSIONS ARE IN MILLIMETERS. DIMENSIONS IN [] ARE IN INCHES FOR CUSTOMER REFERENCE ONLY UNLESS OTHERWISE SPECIFIED TOLERANCE ARE:		THESE DRAWINGS AND SPECIFICATIONS ARE THE PROPERTY OF ANOISON ELECTRONICS LTD AND SHOULD NOT BE USED WITHOUT WRITTEN PERMISSION COPYRIGHT © 2019 ANOISON ELECTRONICS LTD	
.XX	±0.13 [.005"]		
.X	±0.20 [.008"]		
X	±0.50 [.019"]		
.X°	±1°		
X°	±2°		



TITLE		MINI SMB 75 OHM STRAIGHT JACK CRIMP FOR RG179D CABLE		
VIEW		PART NO. ANO 2712-2004		
SIZE	SCALE	SHEET	REV.	
A3	5:1	1/1	B	