

4 3 2 1

REVISIONS			
REV.	DESCRIPTION	DATE	APPROVED
A	INITIAL RELEASE	08/07/13	J. QU

MATERIAL & FINISH:

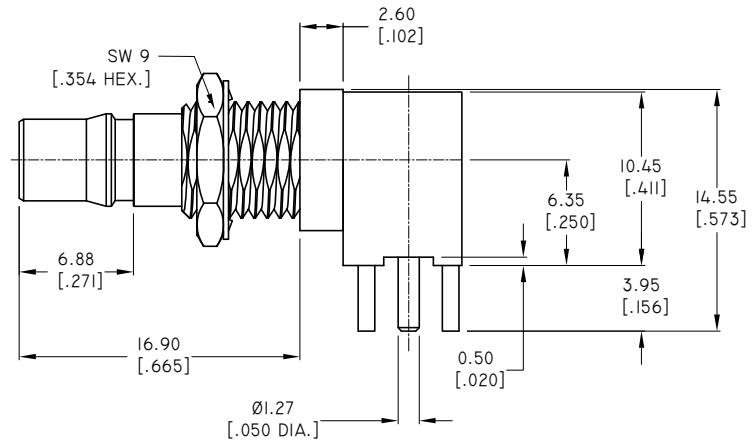
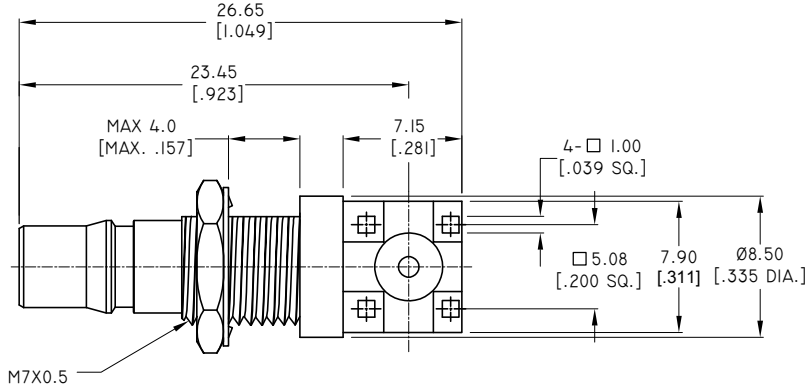
- 1 BODY: BRASS, SEE TABLE
- 2 CENTER CONTACT: BERYLLIUM COPPER ALLOY, GOLD PLATED
- 3 INSULATOR: PTFE
- 4 WASHER: PHOSPHOR BRONZE. SEE TABLE
- 5 FASTENING NUT: BRASS, SEE TABLE

ELECTRICAL DATA:

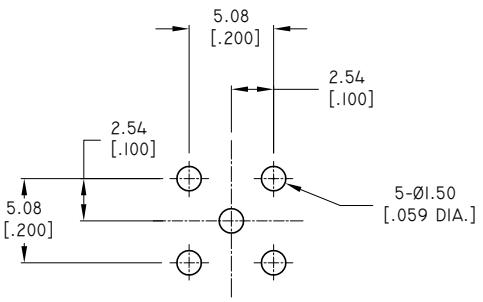
- 1 IMPEDANCE: 50 Ω
- 2 FREQUENCY RANGE: DC~18 GHz
- 3 VSWR: 1.30 MAX. @ DC~12.4 GHz

ENVIRONMENTAL DATA:

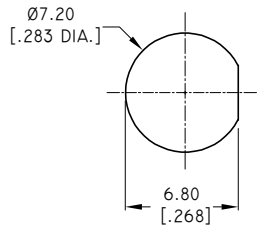
- 1 TEMPERATURE RANGE: -40°C~+125°C
- 2 2011/65/EU (RoHS): COMPLIANT



PART NUMBER	PART	FINISH
ANO 2622-4035	BODY / WASHER	ALBALOY
ANO 2622-4035-1	FASTENING NUT	GOLD



RECOMMENDED PCB MOUNTING HOLE



RECOMMENDED PANEL MOUNTING HOLE

DRAWN	H. ZHANG	DATE	08/07/13
CHECKED	X. B. YANG	DATE	08/07/13
APPROVED	J. QU	DATE	08/07/13
UNLESS OTHERWISE SPECIFIED DIMENSIONS ARE IN MILLIMETERS. DIMENSIONS IN [] ARE IN INCHES FOR CUSTOMER REFERENCE ONLY UNLESS OTHERWISE SPECIFIED TOLERANCE ARE:		THESE DRAWINGS AND SPECIFICATIONS ARE THE PROPERTY OF ANOISON ELECTRONICS LTD AND SHOULD NOT BE USED WITHOUT WRITTEN PERMISSION COPYRIGHT © 2013 ANOISON ELECTRONICS LTD	
.XX	±0.13 [.005"]		
.X	±0.20 [.008"]		
X	±0.50 [.019"]		
.X°	±1°		
X°	±2°		

TITLE
QMA RIGHT ANGLE BULKHEAD FEMALE PCB RECEPTACLE

VIEW

PART NO. ANO 2622-4035

SIZE	SCALE	SHEET	REV.
A3	5:1	1/1	A

D
C
B
A

D
C
B
A

4 3 2 1