

MATERIAL & FINISH:

- 1 BODY: BRASS, ALBALOY PLATED
- 2 CENTER CONTACT: BRASS, GOLD PLATED
- 3 INSULATOR: PTFE
- 4 UNLOCK SIEVE: BRASS, ALBALOY PLATED
- 5 GASKET: SILICONE RUBBER

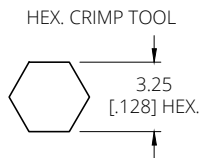
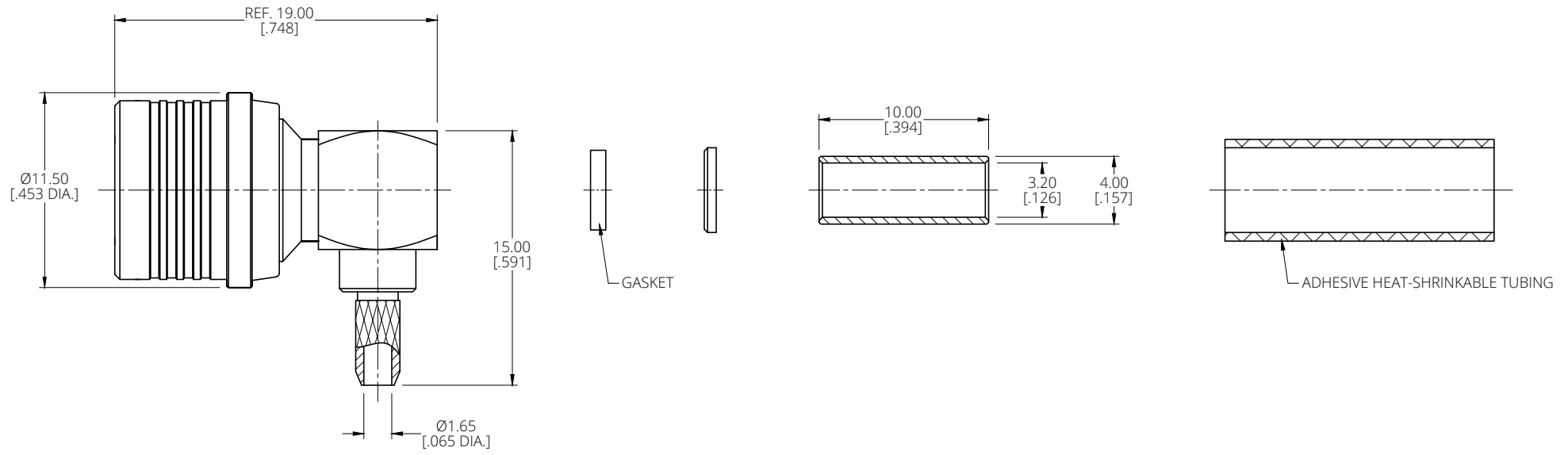
ELECTRICAL DATA:

- 1 IMPEDANCE: 50 Ω
- 2 FREQUENCY RANGE: DC~6 GHz

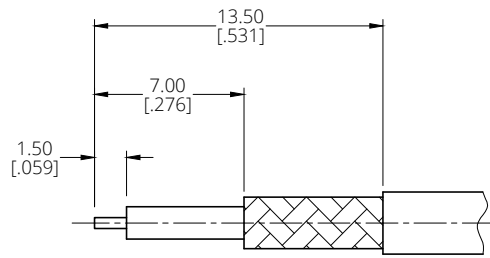
ENVIRONMENTAL DATA:

- 1 TEMPERATURE RANGE: -55°C~+125°C
- 2 2011/65/EU(RoHS) AND 2015/863/(RoHS): COMPLIANT
- 3 1907/2006/EC(REACH): COMPLIANT

REVISIONS			
REV.	DESCRIPTION	DATE	APPROVED
A	INITIAL RELEASE	09/19/25	J. Q



CRIMP WIDTH: 7.5 [0.295]



CABLE STRIPPING DIMENSIONS

DRAWN	Y. H	DATE	09/19/25
CHECKED	L. Y	DATE	09/19/25
APPROVED	J. Q	DATE	09/19/25
UNLESS OTHERWISE SPECIFIED DIMENSIONS ARE IN MILLIMETERS, DIMENSIONS IN [] ARE IN INCHES FOR CUSTOMER REFERENCE ONLY UNLESS OTHERWISE SPECIFIED TOLERANCE ARE:		THESE DRAWINGS AND SPECIFICATIONS ARE THE PROPERTY OF ANOISON ELECTRONICS LTD AND SHOULD NOT BE USED WITHOUT WRITTEN PERMISSION COPYRIGHT © 2025 ANOISON ELECTRONICS LTD	
	.XX	±0.13 [0.005"]	
	.X	±0.20 [0.008"]	
	X	±0.50 [0.019"]	
	.X°	±1°	
	X°	±2°	



TITLE			
QMA RIGHT ANGLE MALE CRIMP FOR RG174/RG316/LMR100 TYPE WATERTIGHT			
VIEW		PART NO.	
		ANO 2621-2134	
SIZE	SCALE	SHEET	REV.
A3	4:1	1/1	A