

REVISIONS			
REV.	DESCRIPTION	DATE	APPROVED
A	INITIAL RELEASE	12/13/24	J. Q

1.0 MATERIAL & FINISH:

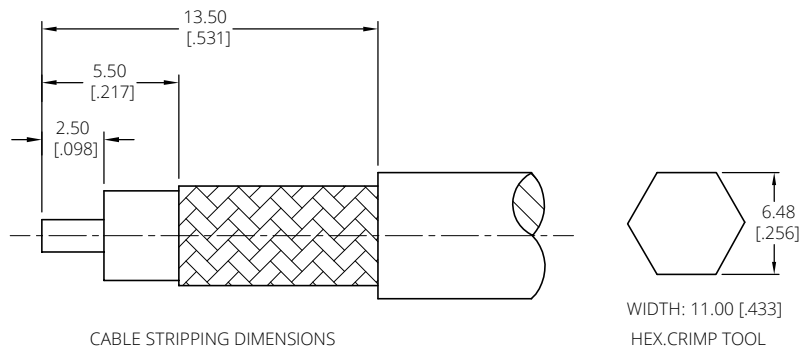
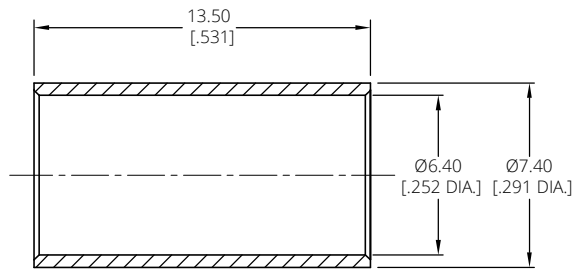
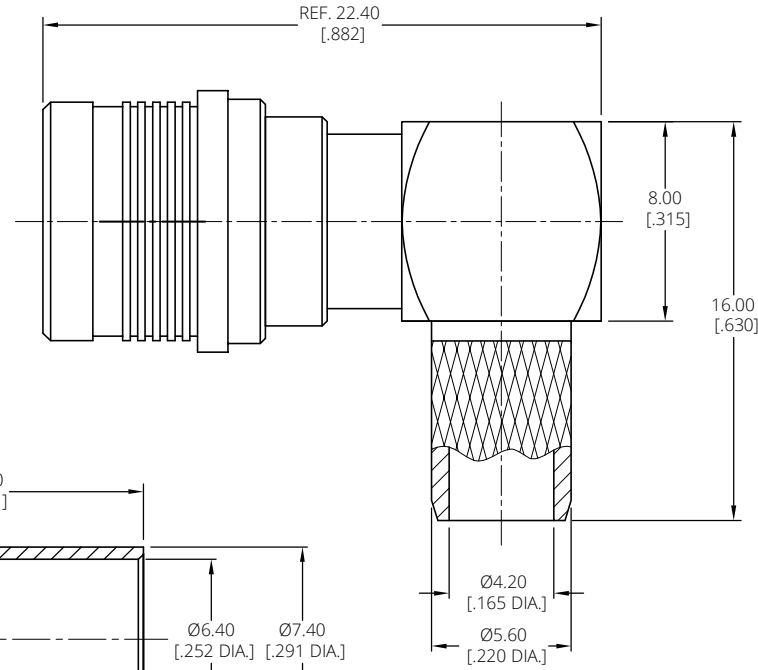
- 1.1 BODY: BRASS, ALBALOY PLATED
- 1.2 CENTER CONTACT: BRASS, GOLD PLATED
- 1.3 INSULATOR: PTFE
- 1.4 UNLOCK SEEVE: BRASS, ALBALOY PLATED

2.0 ELECTRICAL DATA:

- 2.1 IMPEDANCE: 50 Ω
- 2.2 FREQUENCY RANGE: DC-6GHZ

3.0 ENVIRONMENTAL DATA:

- 3.1 TEMPERATURE RANGE: -55°C~+155°C
- 3.2 2011/65/EU (RoHS): COMPLIANT



DRAWN	W. Y	DATE	12/13/24
CHECKED	X. Y	DATE	12/13/24
APPROVED	J. Q	DATE	12/13/24
UNLESS OTHERWISE SPECIFIED DIMENSIONS ARE IN MILLIMETERS, DIMENSIONS IN [] ARE IN INCHES FOR CUSTOMER REFERENCE ONLY UNLESS OTHERWISE SPECIFIED TOLERANCE ARE:		THESE DRAWINGS AND SPECIFICATIONS ARE THE PROPERTY OF ANOISON ELECTRONICS LTD AND SHOULD NOT BE USED WITHOUT WRITTEN PERMISSION COPYRIGHT © 2024 ANOISON ELECTRONICS LTD	
XX	±0.13 [.005"]		
X	±0.20 [.008"]		
X*	±0.50 [.019"]		
X**	±1°		
X***	±2°		



TITLE			
QMA RIGHT ANGLE MALE CRIMP FOR LL240 CABLE			
VIEW		PART NO.	
		ANO 2621-2133	
SIZE	SCALE	SHEET	REV.
A3	5:1	1/1	A