

1.0 MATERIAL & FINISH:

- 1.1 BODY: BRASS, GOLD/A1; PLATED
- 1.2 CENTER CONTACT: BERYLLIUM COPPER ALLOY, GOLD PLATED
- 1.3 OUTER CONTACT: BERYLLIUM COPPER ALLOY, ALBALOY PLATED
- 1.4 INSULATOR: PTFE
- 1.5 UNLOCK SLEEVE: BRASS, ALBALOY PLATED

2.0 ENVIRONMENTAL DATA:

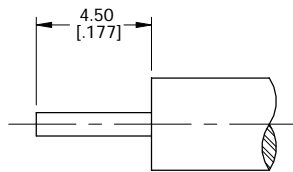
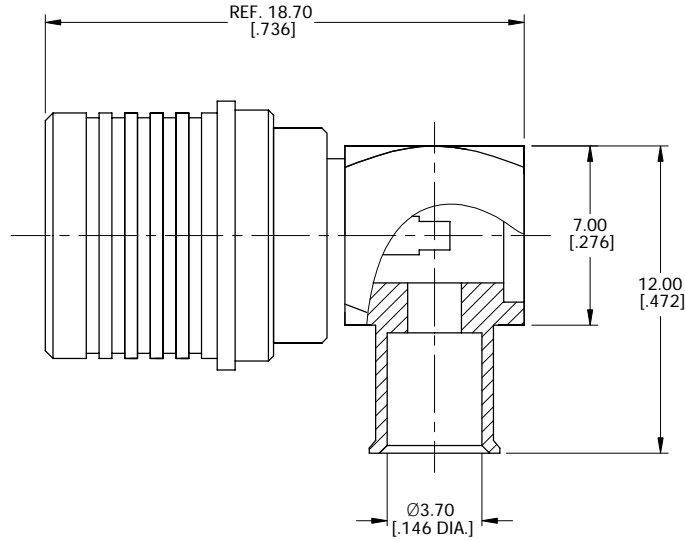
- 2.1 TEMPERATURE RANGE: -55°C ~ +125°C
- 2.2 2011/65/EU (RoHS): COMPLIANT

3.0 ELECTRICAL DATA:

- 3.1 IMPEDANCE: 50 Ω
- 3.2 FREQUENCY RANGE: DC-18 GHz
- 3.3 VSWR: 1.35 MAX. @ DC-6GHz

REVISIONS

REV.	DESCRIPTION	DATE	APPROVED
A	INITIAL RELEASE	07/26/23	J. Q
B	CHANGED CENTER CONTACT MATERIAL AND UNLOCK SLEEVE	07/27/23	J. Q
C	CABLE STRIPPING DIMENSIONS 4.50 [.177] WAS 2.70 [.106]	07/28/23	J. Q



CABLE STRIPPING DIMENSIONS

DRAWN	L. Y	DATE	07/28/23
CHECKED	W. Y	DATE	07/28/23
APPROVED	J. Q	DATE	07/28/23

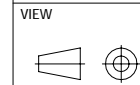
UNLESS OTHERWISE SPECIFIED DIMENSIONS ARE IN MILLIMETERS, DIMENSIONS IN [] ARE IN INCHES FOR CUSTOMER REFERENCE ONLY UNLESS OTHERWISE SPECIFIED TOLERANCE ARE:

.XX	±0.13 [.005"]
.X	±0.20 [.008"]
.X°	±0.50 [.019"]
.X°	±1°
.X°	±2°

THESE DRAWINGS AND SPECIFICATIONS ARE THE PROPERTY OF ANOISON ELECTRONICS LTD AND SHOULD NOT BE USED WITHOUT WRITTEN PERMISSION COPYRIGHT © 2023 ANOISON ELECTRONICS LTD



TITLE
QMA RIGHT ANGLE MALE SOLDER FOR .141 CABLE



PART NO. ANO 2621-2132			
SIZE A3	SCALE 5:1	SHEET 1/1	REV. C