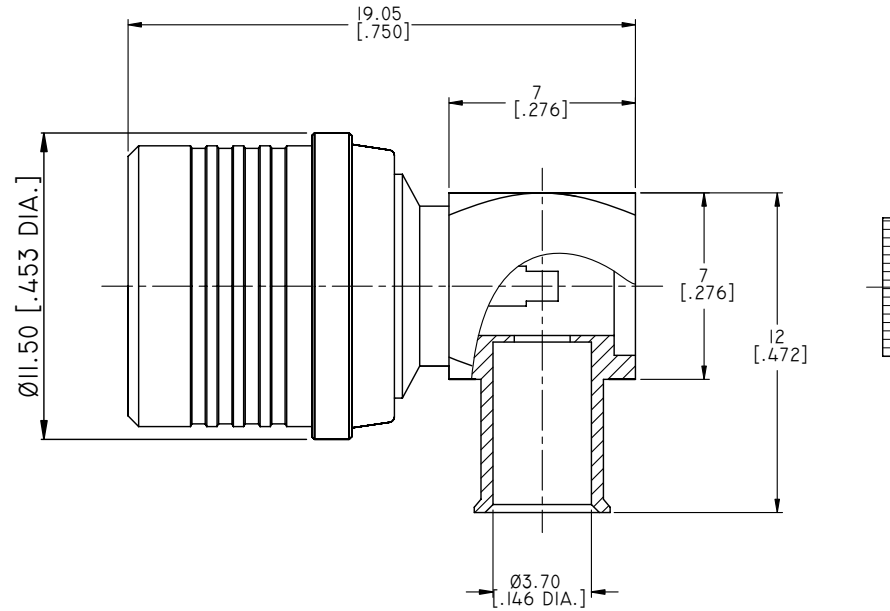


1.0 MATERIAL & FINISH:
 1.1 BODY: BRASS, SEE TABLE
 1.2 CENTER CONTACT: BRASS, SEE TABLE
 1.3 INSULATOR: PTFE
 1.4 UNLOCK SEEVE: BRASS, ALBALOY PLATED

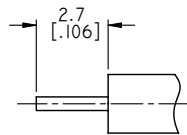
2.0 ELECTRICAL DATA:
 2.1 IMPEDANCE: 50 Ω
 2.2 FREQUENCY RANGE: DC-18GHZ
 2.3 VSWR: ≤1.35 @ DC-6GHZ

3.0 ENVIRONMENTAL DATA:
 3.1 TEMPERATURE RANGE: -55°C~+155°C
 3.2 2011/65/EU (RoHS): COMPLIANT

REVISIONS			
REV.	DESCRIPTION	DATE	APPROVED
K	MODIFY FREQUENCY RANGE	08/01/15	J. QU
L	DRAWING FORMAT CHANGED	08/28/17	J. QU



PART NO.	PART	FINISH
ANO 2621-2022	BODY	ALBALOY
	CENTER CONTACT	GOLD
ANO 2621-2022-1	BODY	GOLD
	CENTER CONTACT	GOLD
ANO 2621-2022-2	BODY	ALBALOY
	CENTER CONTACT	SILVER



CABLE STRIPPING DIMENSIONS

DRAWN	L. YANG	DATE	08/28/17
CHECKED	X. B. YANG	DATE	08/28/17
APPROVED	J. QU	DATE	08/28/17
UNLESS OTHERWISE SPECIFIED DIMENSIONS ARE IN MILLIMETERS. DIMENSIONS IN [] ARE IN INCHES FOR CUSTOMER REFERENCE ONLY UNLESS OTHERWISE SPECIFIED TOLERANCE ARE:		THESE DRAWINGS AND SPECIFICATIONS ARE THE PROPERTY OF ANOISON ELECTRONICS LTD AND SHOULD NOT BE USED WITHOUT WRITTEN PERMISSION COPYRIGHT © 2017 ANOISON ELECTRONICS LTD	
.XX	±0.13 [.005"]		
.X	±0.20 [.008"]		
X	±0.50 [.019"]		
.X°	±1°		
X°	±2°		



TITLE
 QMA RIGHT ANGLE MALE SOLDER FOR .141 CABLE

VIEW	PART NO. ANO 2621-2022				
SIZE	A3	SCALE	5:1	SHEET	1/1
REV.	L				