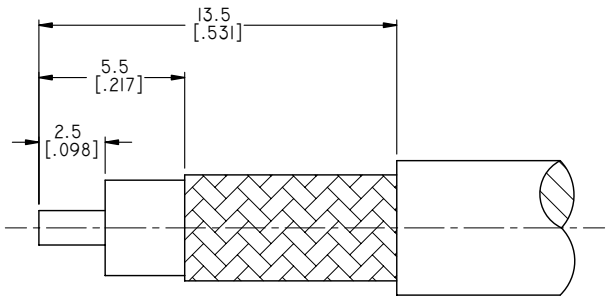
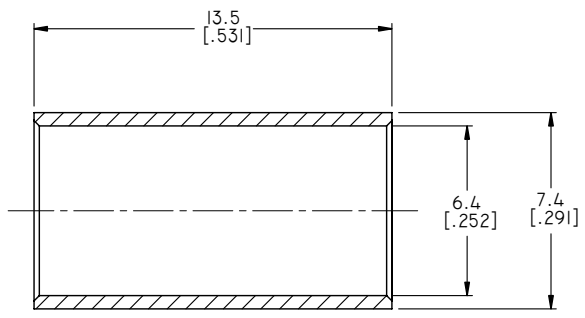
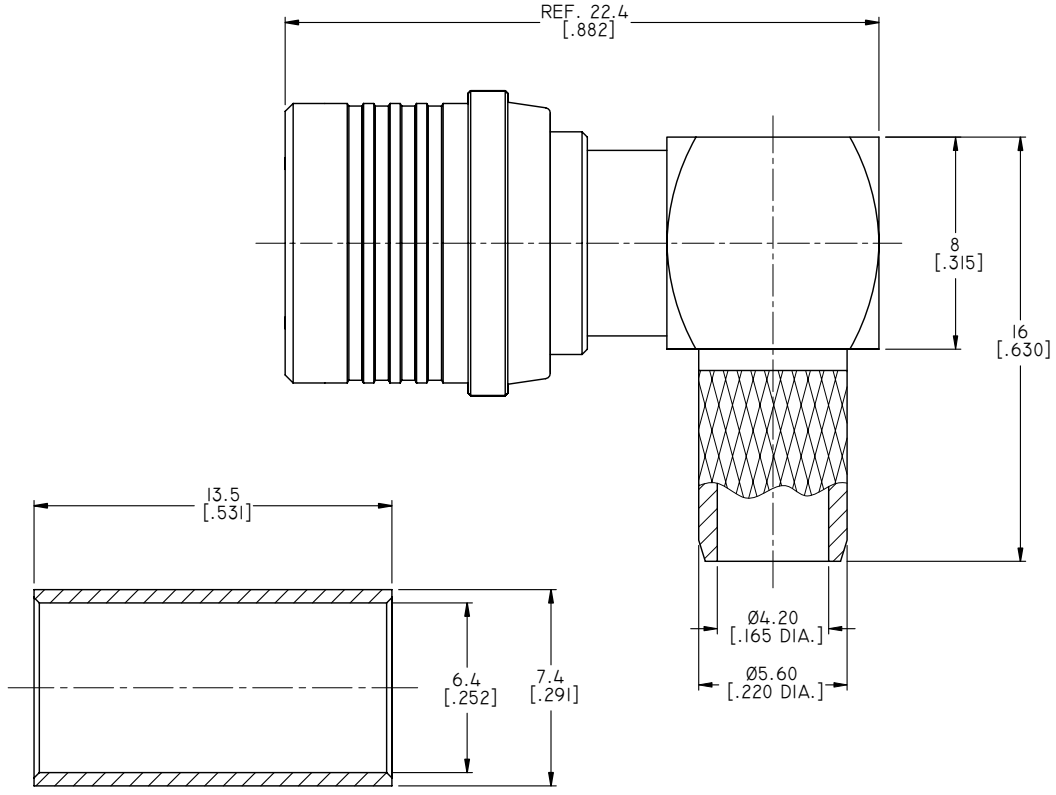


1.0 MATERIAL & FINISH:
 1.1 BODY: BRASS, ALBALOY PLATED
 1.2 CENTER CONTACT: BRASS, GOLD PLATED
 1.3 INSULATOR: PTFE
 1.4 UNLOCK SEEVE: BRASS, ALBALOY PLATED

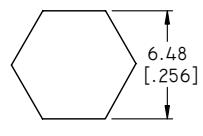
2.0 ELECTRICAL DATA:
 2.1 IMPEDANCE: 50 Ω
 2.2 FREQUENCY RANGE: DC~6GHZ

3.0 ENVIRONMENTAL DATA:
 3.1 TEMPERATURE RANGE: -55°C~+155°C
 3.2 2011/65/EU (RoHS): COMPLIANT

REVISIONS			
REV.	DESCRIPTION	DATE	APPROVED
I	OUTLINE DRAWING CHANGED	02/07/15	J. QU
J	DRAWING FORMAT CHANGED	08/28/17	J. QU



CABLE STRIPPING DIMENSIONS



WIDTH: 11.00 [.433]
 HEX. CRIMP TOOL

DRAWN	L. YANG	DATE	08/28/17
CHECKED	X. B. YANG	DATE	08/28/17
APPROVED	J. QU	DATE	08/28/17
UNLESS OTHERWISE SPECIFIED DIMENSIONS ARE IN MILLIMETERS. DIMENSIONS IN [] ARE IN INCHES FOR CUSTOMER REFERENCE ONLY UNLESS OTHERWISE SPECIFIED TOLERANCE ARE:		THESE DRAWINGS AND SPECIFICATIONS ARE THE PROPERTY OF ANOISON ELECTRONICS LTD AND SHOULD NOT BE USED WITHOUT WRITTEN PERMISSION COPYRIGHT © 2017 ANOISON ELECTRONICS LTD	
.XX	±0.13 [.005"]		
.X	±0.20 [.008"]		
X	±0.50 [.019"]		
.X°	±1°		
X°	±2°		



TITLE			
QMA RIGHT ANGLE MALE CRIMP FOR LMR240 CABLE			
VIEW		PART NO.	
		ANO 2621-2004	
SIZE	SCALE	SHEET	REV.
A3	5:1	1/1	J