

MATERIAL & FINISH:

1. BODY: BRASS, ALBALOY PLATED
2. CENTER CONTACT: BERYLLIUM COPPER ALLOY, GOLD PLATED
3. INSULATOR: PTFE

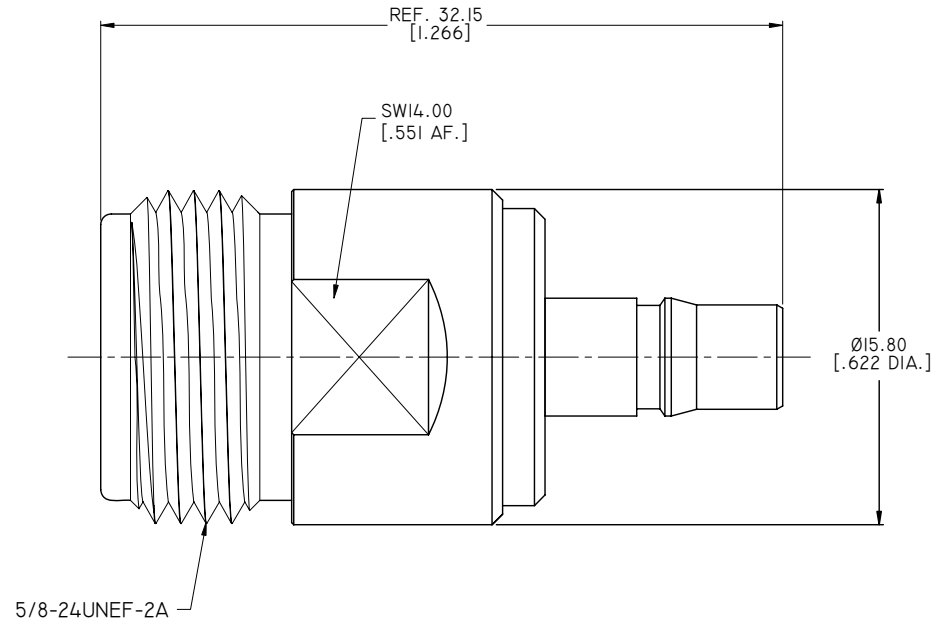
ENVIRONMENTAL DATA:



1. TEMPERATURE RANGE: -55°C~+125°C
2. 2011/65/EU (RoHS): COMPLIANT

ELECTRICAL SPECIFICATIONS:

1. IMPEDANCE: 50 Ω
2. FREQUENCY RANGE: DC~18GHZ
3. VSWR: 1.15 MAX AT DC~6GHZ

REVISIONS			
REV.	DESCRIPTION	DATE	APPROVED
A	INITIAL RELEASE	03/17/12	J. QU
B	OUTLINE DRAWING CHANGED	01/23/14	J. QU
C	BODY FINISH CHANGED TO ALBALOY	04/21/16	J. QU



DRAWN	X. B. YANG	DATE	04/21/16								
CHECKED	L. YANG	DATE	04/21/16								
APPROVED	J. QU	DATE	04/21/16								
<small>UNLESS OTHERWISE SPECIFIED DIMENSIONS ARE IN MILLINETERS, DIMENSIONS IN [] ARE IN INCHES FOR CUSTOMER REFERENCE ONLY UNLESS OTHERWISE SPECIFIED TOLERANCE ARE:</small>				<small>THESE DRAWINGS AND SPECIFICATIONS ARE THE PROPERTY OF ANOISON ELECTRONICS LTD AND SHOULD NOT BE USED WITHOUT WRITTEN PERMISSION COPYRIGHT © 2015 ANOISON ELECTRONICS LTD</small>							
<small>.XX ±0.13 [.005"]</small> <small>.X ±0.20 [.008"]</small> <small>X ±0.50 [.019"]</small> <small>.X° ±1°</small> <small>X° ±2°</small>				TITLE ADAPTER QMA FEMALE TO N FEMALE							
VIEW		PART NO.		SIZE		SCALE		SHEET		REV.	
		ANO 262-512-1034		A3		4:1		1/1		C	