

4 3 2 1

1.0 MATERIAL & FINISH:

- 1.1 BODY: SEE TABLE
- 1.2 CENTER CONTACT: BERYLLIUM COPPER ALLOY, GOLD PLATED
- 1.3 INSULATOR: PTFE

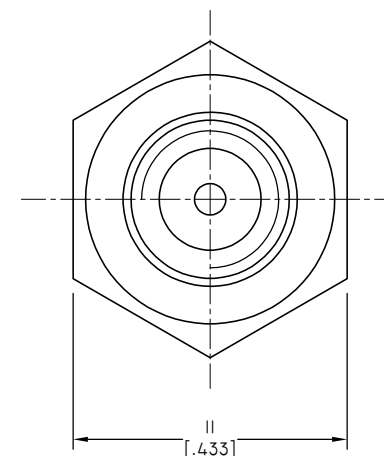
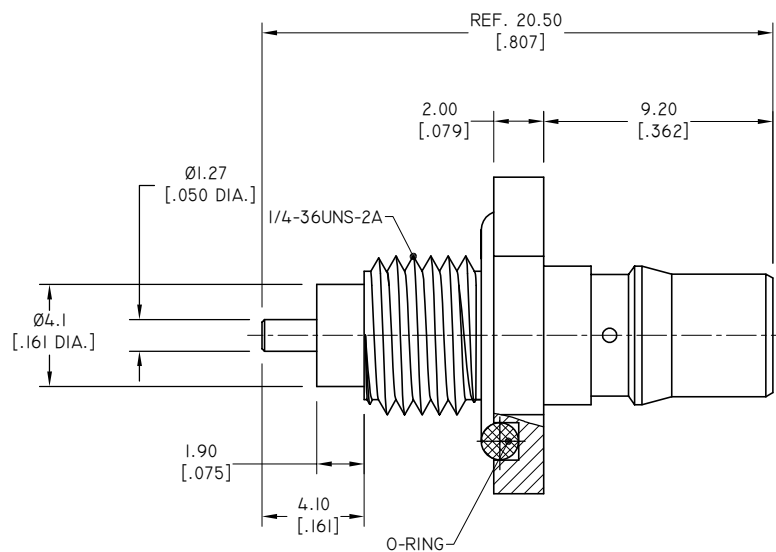
2.0 ENVIRONMENTAL DATA:

- 2.1 TEMPERATURE RANGE: -40°C~+125°C
- 2.2 2011/65/EU (RoHS): COMPLIANT

3.0 ELECTRICAL DATA:

- 3.1 IMPEDANCE: 50 Ω
- 3.2 FREQUENCY RANGE: DC~18 GHz

REVISIONS			
REV.	DESCRIPTION	DATE	APPROVED
B	STRUCTURE CHANGED	01/11/12	J. Q
C	STRUCTURE CHANGED	07/02/12	J. Q
D	STRUCTURE CHANGED	04/12/23	J. Q



PART NUMBER	PART	METRIAL	FINISH
ANO 2612-5050-1	BODY	BRASS	ALBALOY
ANO 2612-5050-2	BODY	BRASS	GOLD
ANO 2612-5050-3	BODY	STAINLESS STEEL	PASSIVATED

DRAWN	W. Y	DATE	04/12/23
CHECKED	X. Y	DATE	04/12/23
APPROVED	J. Q	DATE	04/12/23
UNLESS OTHERWISE SPECIFIED DIMENSIONS ARE IN MILLIMETERS, DIMENSIONS IN [] ARE IN INCHES FOR CUSTOMER REFERENCE ONLY UNLESS OTHERWISE SPECIFIED TOLERANCE ARE:		THESE DRAWINGS AND SPECIFICATIONS ARE THE PROPERTY OF ANOISON ELECTRONICS LTD AND SHOULD NOT BE USED WITHOUT WRITTEN PERMISSION COPYRIGHT © 2023 ANOISON ELECTRONICS LTD	
.XX	±0.13 [.005"]		
.X	±0.20 [.008"]		
X	±0.50 [.019"]		
X°	±1°		
X"	±2°		

TITLE
QMA RECEPTACLE FEMALE, WATERPROOF, BULKHEAD MOUNTED WITH SOLDER END

VIEW

PART NO. ANO 2612-5050

SIZE A3	SCALE 5:1	SHEET 1/1	REV. D
-------------------	---------------------	---------------------	------------------

D
C
B
A

4 3 2 1