

MATERIAL & FINISH:

- 1 BODY: BRASS, ALBALOY PLATED
- 2 CENTER CONTACT: BERYLLIUM COPPER ALLOY, GOLD PLATED
- 3 INSULATOR: PTFE

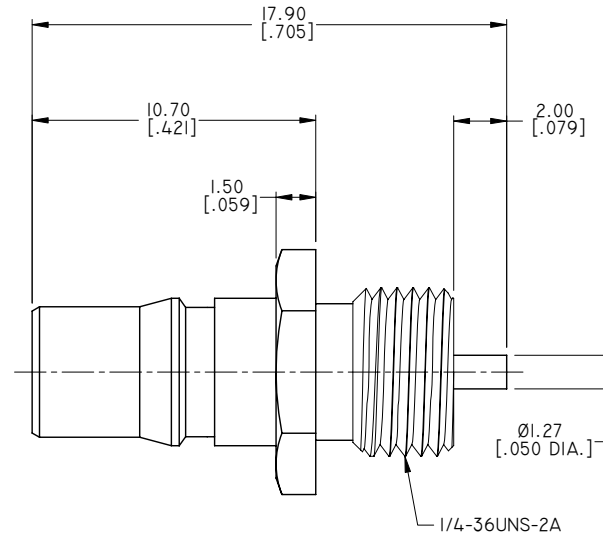
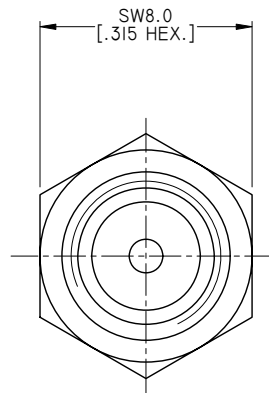
ENVIRONMENTAL DATA:

- 1 TEMPERATURE RANGE: -55°C~+125°C
- 2 2011/65/EU (RoHS): COMPLIANT

ELECTRICAL DATA:

- 1 IMPEDANCE: 50 Ω
- 2 FREQUENCY RANGE: DC~18 GHZ

REVISIONS			
REV.	DESCRIPTION	DATE	APPROVED
B	PART NO. CHANGED	12/04/10	J. QU
C	17.90\X [.705] WAS 17.30 [.681]	12/08/16	J. QU



DRAWN	X. B. YANG	DATE	12/08/16
CHECKED	L. YANG	DATE	12/08/16
APPROVED	J. QU	DATE	12/08/16
UNLESS OTHERWISE SPECIFIED DIMENSIONS ARE IN MILLIMETERS, DIMENSIONS IN [ ] ARE IN INCHES FOR CUSTOMER REFERENCE ONLY UNLESS OTHERWISE SPECIFIED TOLERANCE ARE:		THESE DRAWINGS AND SPECIFICATIONS ARE THE PROPERTY OF ANOISON ELECTRONICS LTD AND SHOULD NOT BE USED WITHOUT WRITTEN PERMISSION COPYRIGHT © 2016 ANOISON ELECTRONICS LTD	
.XX	±0.13 [.005"]		
.X	±0.20 [.008"]		
X	±0.50 [.019"]		
.X°	±1°		
X°	±2°		



TITLE  
QMA FEMALE BULKHEAD FRONT MOUNT, SCREW ON

VIEW	PART NO. ANO 2612-5047			
	SIZE A3	SCALE 5:1	SHEET 1/1	REV. C