

1.0 MATERIAL & FINISH

- 1.1 BODY: BRASS, SEE TABLE
- 1.2 CENTER CONTACT: BERYLLIUM COPPER ALLOY, GOLD PLATED
- 1.3 INSULATOR: PTFE
- 1.4 WASHER: PHOSPHOR BRONZE, SEE TABLE
- 1.5 FASTENING NUT: BRASS, SEE TABLE
- 1.6 O-RING: MVQ(SILICONE RUBBER)

2.0 ENVIRONMENTAL DATA:

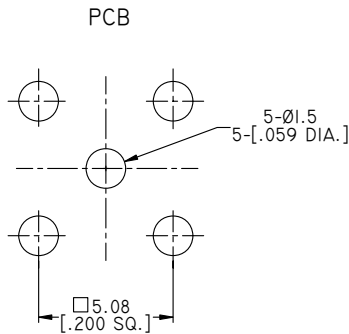
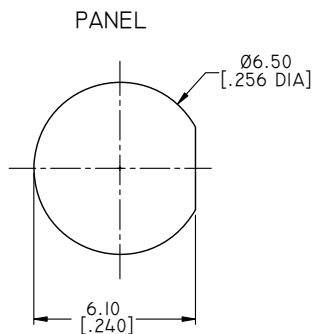
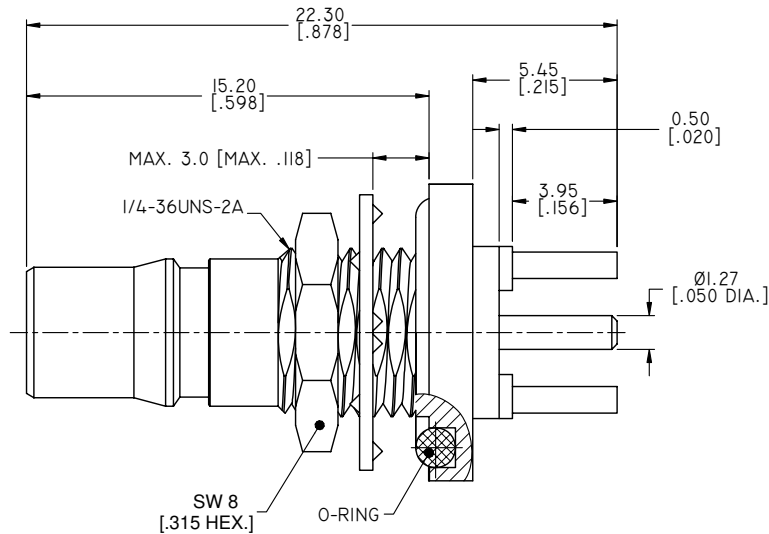
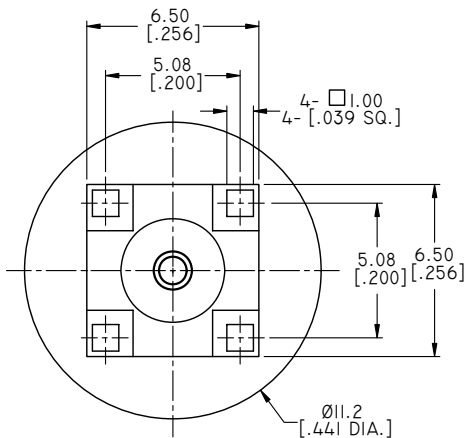
- 2.1 TEMPERATURE RANGE: -55°C~+125°C
- 2.2 2011/65/EU (RoHS): COMPLIANT

3.0 ELECTRICAL SPECIFICATIONS:

- 3.1 IMPEDANCE: 50 Ω
- 3.2 FREQUENCY RANGE: DC~12.4GHZ
- 3.3 VSWR: 1.30 MAX.

REVISIONS			
REV.	DESCRIPTION	DATE	APPROVED
C	PAINT CHANGED	08/07/13	J. QU
D	DRAWING FORMAT CHANGED	09/06/17	J. QU

PART NUMBER	PART	FINISH
ANO 2612-5043	BODY / WASHER	ALBALOY
ANO 2612-5043-I	FASTENING NUT	GOLD



RECOMMENDED MOUNTING HOLE

DRAWN	L. YANG	DATE	09/06/17
CHECKED	X. B. YANG	DATE	09/06/17
APPROVED	J. QU	DATE	09/06/17
UNLESS OTHERWISE SPECIFIED DIMENSIONS ARE IN MILLIMETERS, DIMENSIONS IN [ ] ARE IN INCHES FOR CUSTOMER REFERENCE ONLY UNLESS OTHERWISE SPECIFIED TOLERANCE ARE:		THESE DRAWINGS AND SPECIFICATIONS ARE THE PROPERTY OF ANOISON ELECTRONICS LTD AND SHOULD NOT BE USED WITHOUT WRITTEN PERMISSION COPYRIGHT © 2017 ANOISON ELECTRONICS LTD	
.XX	±0.13 [.005"]		
.X	±0.20 [.008"]		
X	±0.50 [.019"]		
.X°	±1°		
X°	±2°		



TITLE  
QMA STRAIGHT BULKHEAD WATERPROOF FEMALE FOR PCB

VIEW	PART NO. ANO 2612-5043		
SIZE A3	SCALE 5:1	SHEET 1/1	REV. D