

1.0 MATERIAL & FINISH:

1.1 BODY: BRASS, GOLD PLATED

1.2 CENTER CONTACT: BERYLLIUM COPPER ALLOY, GOLD PLATED

1.3 INSULATOR: PTFE

2.0 ELECTRICAL DATA:

2.1 IMPEDANCE: 50 Ω

2.2 FREQUENCY RANGE: DC~12.4GHZ

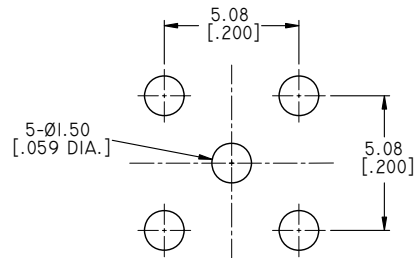
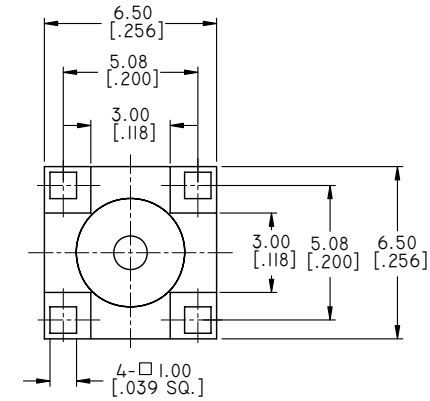
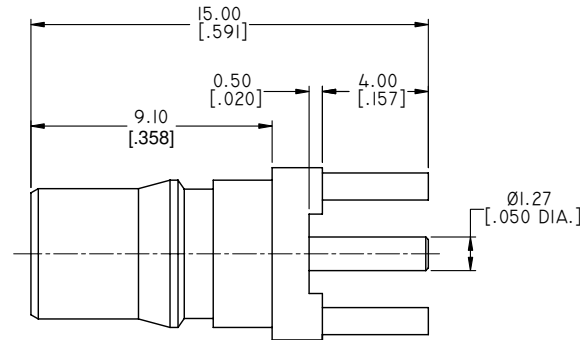
2.3 VSWR: ≤1.25

3.0 ENVIRONMENTAL DATA:

3.1 TEMPERATURE RANGE: -55°C~+155°C

3.2 2011/65/EU ( RoHS): COMPLIANT

REVISIONS			
REV.	DESCRIPTION	DATE	APPROVED
A	INITIAL RELEASE	08/07/13	J. QU
B	DRAWING FORMAT CHANGED	09/05/17	J. QU



RECOMMENDED MOUNTING HOLE

DRAWN	L. YANG	DATE	09/05/17
CHECKED	X. B. YANG	DATE	09/05/17
APPROVED	J. QU	DATE	09/05/17

UNLESS OTHERWISE SPECIFIED DIMENSIONS ARE IN MILLIMETERS. DIMENSIONS IN [ ] ARE IN INCHES FOR CUSTOMER REFERENCE ONLY UNLESS OTHERWISE SPECIFIED TOLERANCE ARE:

.XX	±0.13 [.005"]
.X	±0.20 [.008"]
X	±0.50 [.019"]
.X°	±1°
X°	±2°

THESE DRAWINGS AND SPECIFICATIONS ARE THE PROPERTY OF ANOISON ELECTRONICS LTD AND SHOULD NOT BE USED WITHOUT WRITTEN PERMISSION  
 COPYRIGHT © 2017 ANOISON ELECTRONICS LTD



TITLE			
QMA STRAIGHT FEMALE FOR PCB			
VIEW		PART NO.	
		ANO 2612-4031	
SIZE	SCALE	SHEET	REV.
A3	5:1	I/1	B