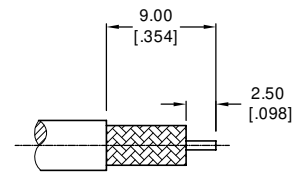
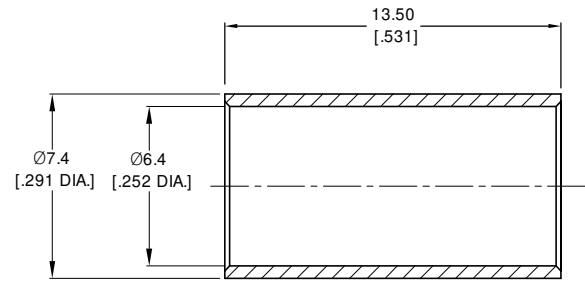
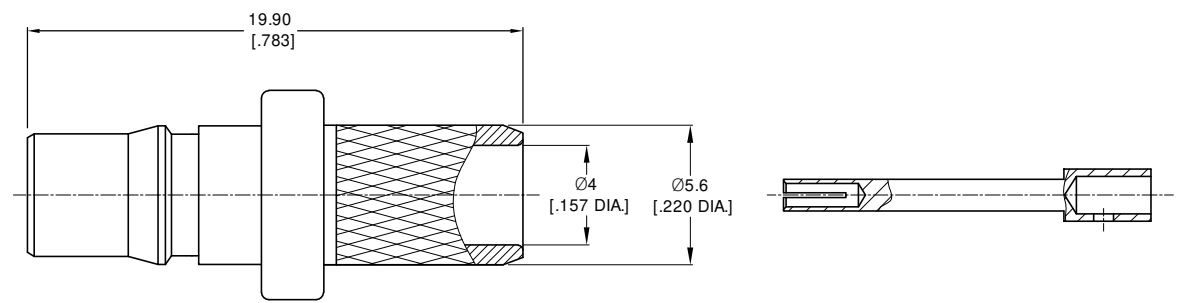


REVISIONS			
REV.	DESCRIPTION	DATE	APPROVED
A	INITIAL RELEASE	07/31/14	J QU
B	DRAWING CHANGED	07/23/21	J QU

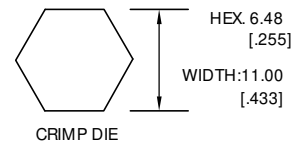
1.0 MATERIAL & FINISH  
 1.1 BODY: BRASS, ALBALOY PLATED  
 1.2 CENTER CONTACT: BERYLLIUM COPPER ALLOY, GOLD PLATING  
 1.3 INSULATOR: PTFE  
 1.4 CRIMP FERRULE: COPPER, NICKEL PLATED

2.0 ENVIRONMENTAL DATA:  
 2.1 TEMPERATURE RANGE: -55°C~+165°C  
 2.2 2011/65/EC (RoHS): COMPLIANT

3.0 ELECTRICAL SPECIFICATIONS:  
 3.1 IMPEDANCE: 50 Ω  
 3.2 FREQUENCY RANGE: DC-6GHz  
 3.3 VSWR: ≤1.30



CABLE STRIPPING DIMENSIONS



CRIMP DIE

DRAWN	W. YANG	DATE	07/23/21
CHECKED	X. B. YANG	DATE	07/23/21
APPROVED	J QU	DATE	07/23/21
UNLESS OTHERWISE SPECIFIED DIMENSIONS ARE IN MILLIMETERS, DIMENSIONS IN [ ] ARE IN INCHES FOR CUSTOMER REFERENCE ONLY UNLESS OTHERWISE SPECIFIED TOLERANCE ARE:		THESE DRAWINGS AND SPECIFICATIONS ARE THE PROPERTY OF ANOISON ELECTRONICS LTD AND SHOULD NOT BE USED WITHOUT WRITTEN PERMISSION COPYRIGHT © 2021 ANOISON ELECTRONICS LTD	
	XX	±0.13	[.005"]
	X	±0.20	[.008"]
	X	±0.50	[.019"]
	X'	±1°	
	X''	±2°	



TITLE			
QMA STRAIGHT FEMALE CRIMP FOR LMR240			
VIEW		PART NO.	
		ANO 2612-2061	
SIZE	SCALE	SHEET	REV.
A3	5:1	1/1	B