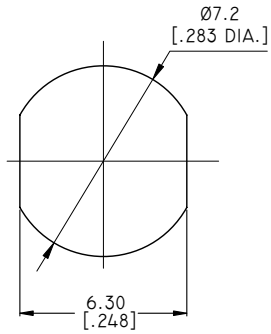


- 1.0 MATERIAL & FINISH:
 1.1 BODY: BRASS, ALBALOY PLATED
 1.2 CENTER CONTACT: BERYLLIUM COPPER ALLOY, GOLD PLATED
 1.3 INSULATOR: PTFE
 1.4 WASHER: PHOSPHOR BRONZE: ALBALOY PLATED
 1.5 FASTENING NUT: BRASS, ALBALOY PLATED
 1.6 O-RING: MVQ(SILICONE RUBBER)

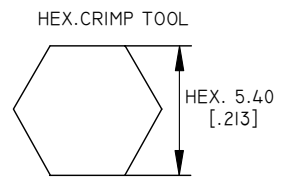
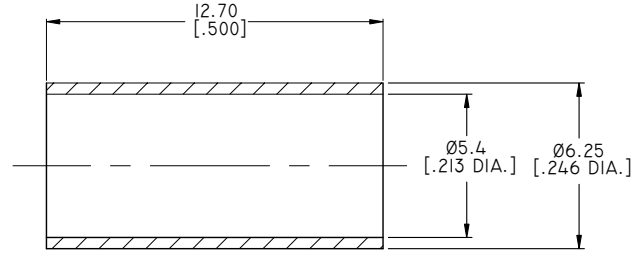
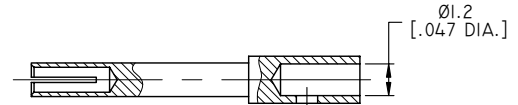
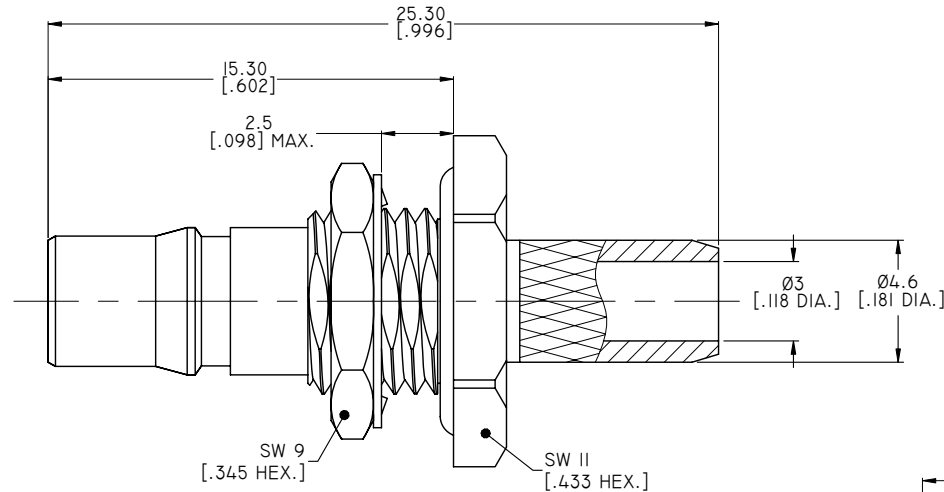
- 2.0 ELECTRICAL DATA:
 2.1 IMPEDANCE: 50 Ω
 2.2 FREQUENCY RANGE: DC~6GHZ
 2.3 VSWR: ≤1.30

- 3.0 ENVIRONMENTAL DATA:
 3.1 TEMPERATURE RANGE: -55°C~+155°C
 3.2 2011/65/EU (RoHS): COMPLIANT

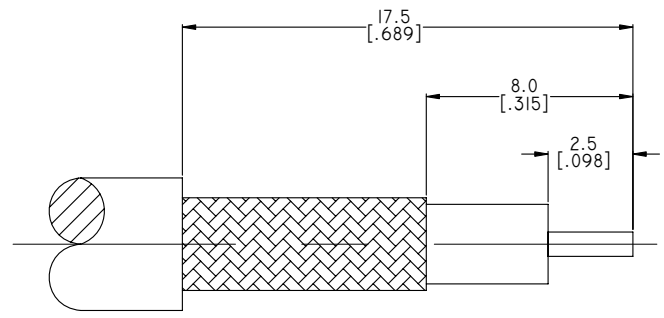
REVISIONS			
REV.	DESCRIPTION	DATE	APPROVED
A	INITIAL RELEASE	11/09/13	J. QU
B	DRAWING FORMAT CHANGED	09/05/17	J. QU



RECOMMENDED MOUNTING HOLE



CRIMP WIDTH: 10 [.394]



CABLE STRIPPING DIMENSIONS

DRAWN	L. YANG	DATE	09/05/17
CHECKED	X. B. YANG	DATE	09/05/17
APPROVED	J. QU	DATE	09/05/17
UNLESS OTHERWISE SPECIFIED DIMENSIONS ARE IN MILLINMETERS. DIMENSIONS IN [] ARE IN INCHES FOR CUSTOMER REFERENCE ONLY UNLESS OTHERWISE SPECIFIED TOLERANCE ARE:		THESE DRAWINGS AND SPECIFICATIONS ARE THE PROPERTY OF ANOISON ELECTRONICS LTD AND SHOULD NOT BE USED WITHOUT WRITTEN PERMISSION COPYRIGHT © 2017 ANOISON ELECTRONICS LTD	
.XX	±0.13 [.005"]		
.X	±0.20 [.008"]		
X	±0.50 [.019"]		
.X°	±1°		
X°	±2°		



TITLE			
QMA STRAIGHT WATERPROOF BULKHEAD FEMALE CRIMP FOR LMR200			
VIEW		PART NO.	
		ANO 2612-I088	
SIZE	SCALE	SHEET	REV.
A3	5:1	I/1	B