

1.0 MATERIAL & FINISH:

- 1.1 BODY: BRASS, SEE TABLE
- 1.2 CENTER CONTACT: BERYLLIUM COPPER ALLOY, GOLD PLATED
- 1.3 INSULATOR: PTFE
- 1.4 WASHER: PHOSPHOR BRONZE, ALBALOY SEE TABLE
- 1.5 FASTENING NUT: BRASS, SEE TABLE
- 1.6 O-RING: MVQ(SILICONE RUBBER)

PART NUMBER	PART	FINISH
ANO 2612-I081	BODY / WASHER	ALBALOY
ANO 2612-I081-I	FASTENING NUT	GOLD

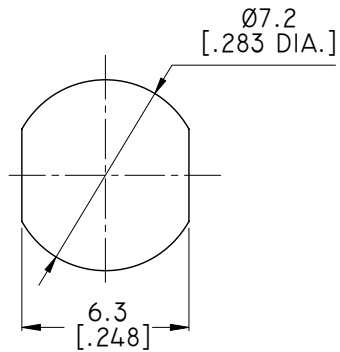
2.0 ENVIRONMENTAL DATA:

- 2.1 TEMPERATURE RANGE: -55°C~+125°C
- 2.2 2011/65/EU (RoHS): COMPLIANT

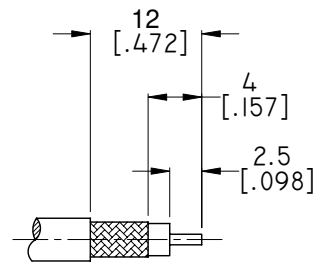
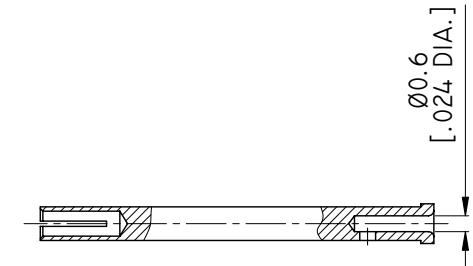
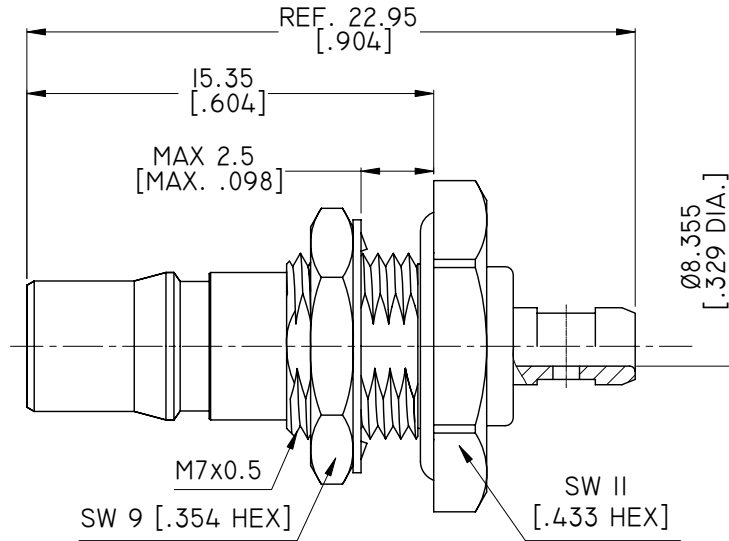
3.0 ELECTRICAL DATA:

- 3.1 IMPEDANCE: 50 Ω
- 3.2 FREQUENCY RANGE: DC~6 GHz
- 3.3 VSWR 1.30 MAX.

REVISIONS			
REV.	DESCRIPTION	DATE	APPROVED
A	INITIAL RELEASE	11/04/16	J. QU
B	CHANGE THE STRIP SIZE	12/03/16	J. QU



RECOMMENDED MOUNTING HOLE



CABLE STRIPPING DIMENSIONS

DRAWN	W. YANG	DATE	11/04/16
CHECKED	L. YANG	DATE	11/04/16
APPROVED	J. QU	DATE	11/04/16
UNLESS OTHERWISE SPECIFIED DIMENSIONS ARE IN MILLIMETERS. DIMENSIONS IN [] ARE IN INCHES FOR CUSTOMER REFERENCE ONLY UNLESS OTHERWISE SPECIFIED TOLERANCE ARE:		THESE DRAWINGS AND SPECIFICATIONS ARE THE PROPERTY OF ANOISON ELECTRONICS LTD AND SHOULD NOT BE USED WITHOUT WRITTEN PERMISSION COPYRIGHT © 2016 ANOISON ELECTRONICS LTD	
.XX	±0.13 [.005"]		
.X	±0.20 [.008"]		
X	±0.50 [.019"]		
.X°	±1°		
X°	±2°		



TITLE
QMA STRAIGHT WATERPROOF BULKHEAD FEMALE SOLDER FOR RG178 CABLE

VIEW	PART NO. ANO 2612-I081			
	SIZE	SCALE	SHEET	REV.
	A3	5:1	I/1	A