

**MATERIAL & FINISH:**

- 1 BODY: BRASS, SEE TABLE
- 2 CENTER CONTACT: BERYLLIUM COPPER ALLOY, SEE TABLE
- 3 INSULATOR: PTFE
- 4 WASHER: PHOSPHOR BRONZE, SEE TABLE
- 5 FASTENING NUT: BRASS, SEE TABLE
- 6 O-RING: MVQ(SILICONE RUBBER)

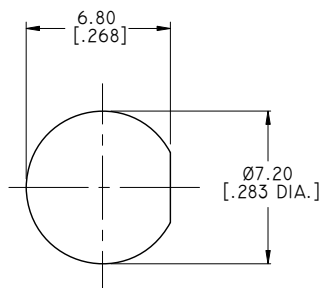
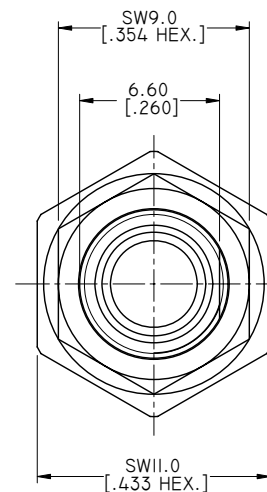
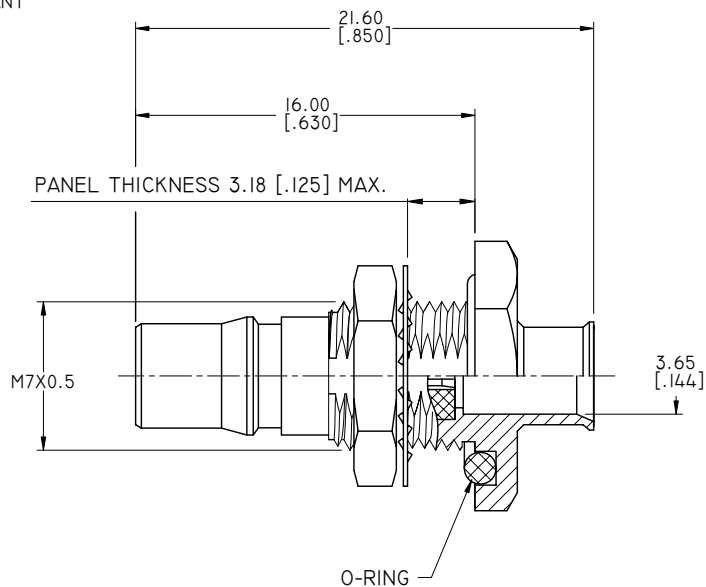
**ELECTRICAL DATA:**

- 1 IMPEDANCE: 50 Ω
- 2 FREQUENCY RANGE: DC~18 GHZ
- 3 VSWR: 1.20 MAX. AT DC~6 GHZ

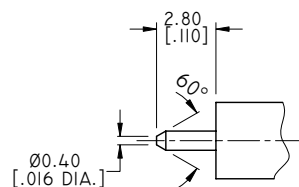
**ENVIRONMENTAL DATA:**

- 1 TEMPERATURE RANGE: -55°C~+125°C
- 2 2011/65/EU (RoHS): COMPLIANT

REVISIONS			
REV.	DESCRIPTION	DATE	APPROVED
H	STRUCTURE CHANGED	06/04/15	J. QU
I	RECOMMENDED MOUNTING HOLE CHANGED	11/16/16	J. QU
J	PANEL THICKNESS CHANGED 3.18 [.125] WAS 2.9 [.114]	11/16/16	J. QU



RECOMMENDED MOUNTING HOLE



CABLE STRIPPING DIMENSIONS

TABLE

PART NO.	PART	FINISH
ANO 2612-1012	BODY/ WASHER/ FASTENING NUT	ALBALOY
ANO 2612-1012-1		GOLD

DRAWN	L. YANG	DATE	11/19/16
CHECKED	X. B. YANG	DATE	11/19/16
APPROVED	J. QU	DATE	11/19/16
UNLESS OTHERWISE SPECIFIED DIMENSIONS ARE IN MILLINMETERS. DIMENSIONS IN [ ] ARE IN INCHES FOR CUSTOMER REFERENCE ONLY UNLESS OTHERWISE SPECIFIED TOLERANCE ARE:		THESE DRAWINGS AND SPECIFICATIONS ARE THE PROPERTY OF ANOISON ELECTRONICS LTD AND SHOULD NOT BE USED WITHOUT WRITTEN PERMISSION COPYRIGHT © 2016 ANOISON ELECTRONICS LTD	
.XX	±0.13 [.005"]		
.X	±0.20 [.008"]		
X	±0.50 [.019"]		
.X°	±1°		
X°	±2°		



TITLE  
QMA STRAIGHT FEMALE BULKHEAD SOLDER FOR .141 CABLE CAPTIVATED CONTACT

VIEW	PART NO. ANO 2612-1012			
	SIZE A3	SCALE 4:1	SHEET 1/1	REV. J