

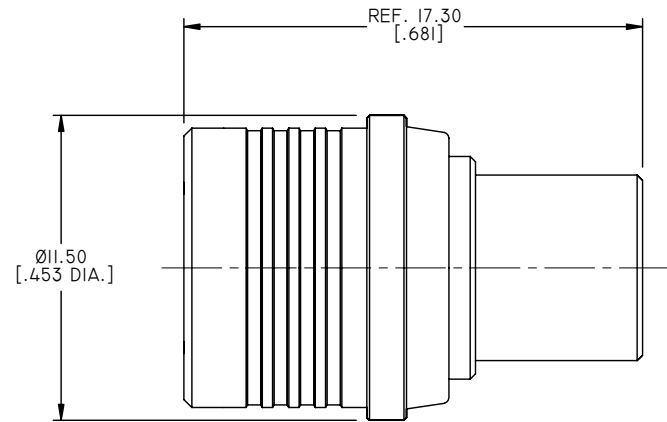
MATERIAL & FINISH:

- 1 BODY: BRASS, ALBALOY PLATED
- 2 UNLOCK SLEEVE: BRASS, ALBALOY PLATED
- 3 GASKET: SILICONE RUBBER

ENVIRONMENTAL DATA:

- 1 TEMPERATURE RANGE: -55°C~+125°C
- 2 2011/65/EU ( RoHS): COMPLIANT

REVISIONS			
REV.	DESCRIPTION	DATE	APPROVED
A	INITIAL RELEASE	07/16/10	J. QU
B	OUTLINE DARWING CHANGED	08/16/16	J. QU



DRAWN	X. B. YANG	DATE	08/16/16
CHECKED	L. YANG	DATE	08/16/16
APPROVED	J. QU	DATE	08/16/16
UNLESS OTHERWISE SPECIFIED DIMENSIONS ARE IN MILLIMETERS, DIMENSIONS IN [ ] ARE IN INCHES FOR CUSTOMER REFERENCE ONLY UNLESS OTHERWISE SPECIFIED TOLERANCE ARE:		THESE DRAWINGS AND SPECIFICATIONS ARE THE PROPERTY OF ANOISON ELECTRONICS LTD AND SHOULD NOT BE USED WITHOUT WRITTEN PERMISSION COPYRIGHT © 2016 ANOISON ELECTRONICS LTD	
.XX	±0.13 [.005"]		
.X	±0.20 [.008"]		
X	±0.50 [.019"]		
.X°	±1°		
X°	±2°		



TITLE			
QMA CAP, MALE WITHOUT CHAIN			
VIEW		PART NO.	
		ANO 2611-6044	
SIZE	SCALE	SHEET	REV.
A3	5:1	1/1	B